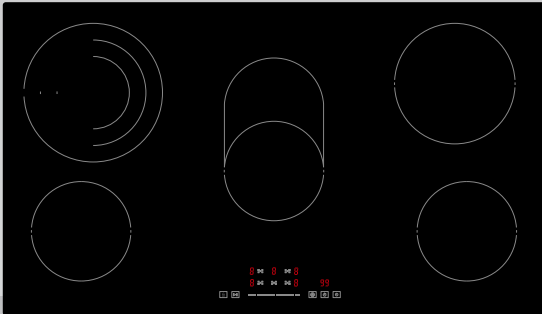




WRT9350AU

90CM 5-ZONE CERAMIC HOB WITH TRIPLE & OVAL ZONE



FEATURES & BENEFITS



TRIPLE & OVAL ZONE

Extended zones can provide a larger cooking area and additional heat to fit for different sizes of cooking pan.



STOP & GO

Suspend the cooking process if you're interrupted then re-start again at the same temperature in an instant with the Stop & Go function.



BLACK CERAMIC GLASS

A completely smooth cooking surface makes the cooktop extremely easy to clean with just a wipe.



CHILD LOCK

Featuring a Child Lock function to prevent toddlers and children from accidentally using the hob.



RESIDUAL HEAT INDICATOR

As an added safety precaution, all Whirlpool ceramic hobs have residual heat indicators on each zone to alert you when a zone is still hot.



WARRANTY

Guarantees peace of mind and value for money knowing that any product fault or defect is covered by full replacement parts and/or a service call to ensure the product works as described.

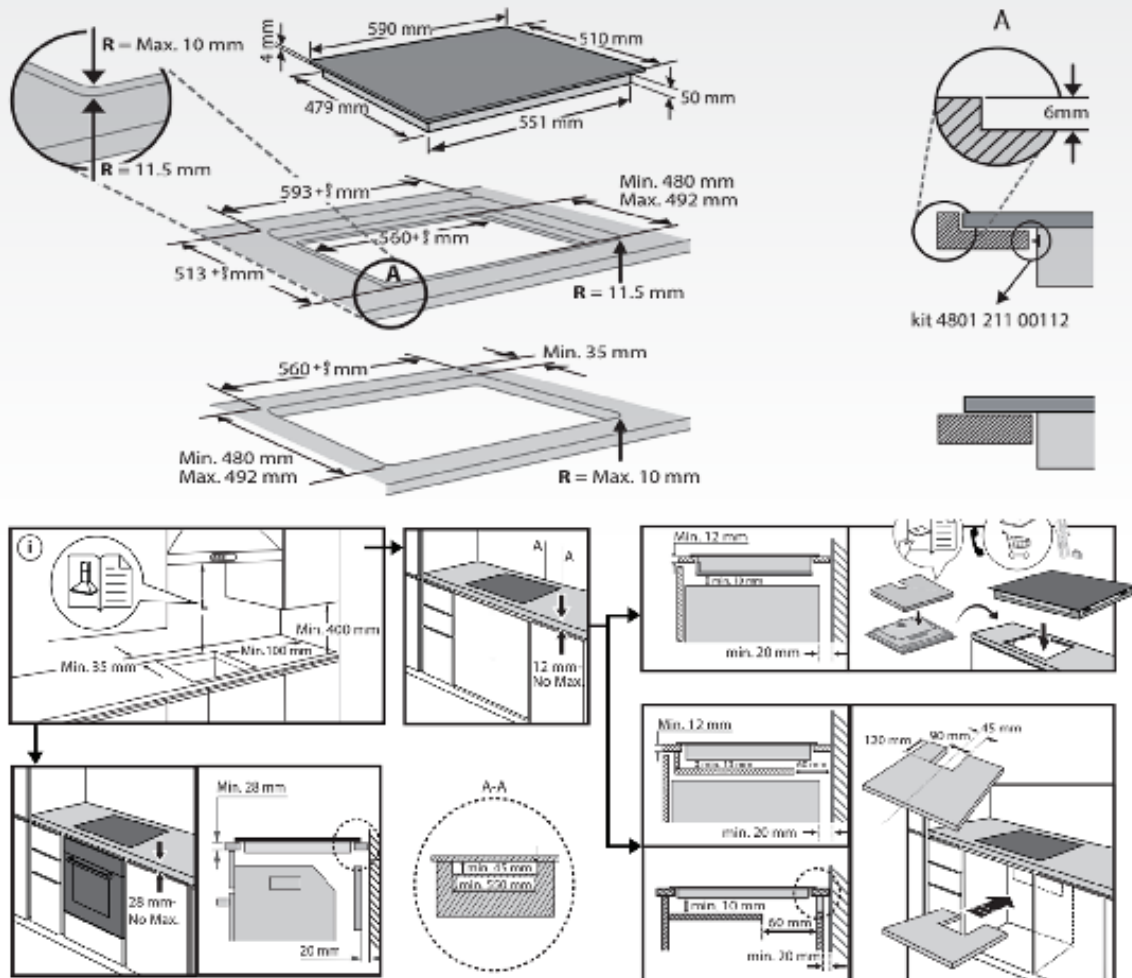
TECHNICAL SPECIFICATIONS

TYPE	90cm Built-in Ceramic Hob
COOKING ZONES	5
COLOR / FINISH	Black Ceramic Glass
CONTROL	Touch Slider Control
LOCATION OF CONTROL PANEL	Front
PRODUCT NET WEIGHT	12.5kg
PRODUCT DIMENSION	W 900mm x H 51mm x D 520mm
CUT-OUT DIMENSION	W 880mm x D 500mm
FUNCTIONS	Triple Zone, Oval Zone, Stop & Go Function
FEATURES	Child Lock, Timer, Residual Heat Indicator, Auto Shutdown, Overheat Protection, Overflow Protection
TOTAL POWER	8,500W
LEFT, FRONT ZONE	1,200W
LEFT, REAR ZONE	2,300W/1,500W/700W
CENTRAL ZONE	2,000W/1,100W
RIGHT FRONT ZONE	1,200W
RIGHT REAR ZONE	1,800W
POWER SETTING	9 levels
ENERGY INPUT	Electric
POWER VOLTAGE	220-240V~, or 380-415V 3N~, 50-60Hz
LENGTH OF POWER CORD	110cm (without plug)
PACKAGING DIMENSION	W 990mm x H 118mm x D 598mm
GROSS WEIGHT	14.29kg
COUNTRY OF ORIGIN	Asia
WARRANTY	5 years

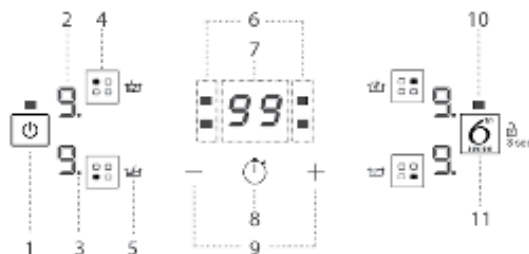
DISTRIBUTED BY ARISIT PTY LTD

40-50 Mark Anthony Drive, Dandenong South VIC 3175
Ph: 1300 762 219 Fax: 03 9768 0838 Website: www.arisit.com

INSTALLATION GUIDE



CONTROL PANEL



- On/Off button
- Cooking level selected
- Zone selection indicator
- Cooking zone selection button
- Special function icon
- Timer indicators active for the selected zone
- Cooking time indicator
- Timer activation button
- Power and cooking time adjustment buttons
- Indicator light – function active
- 6th Sense button/Key lock button – 3 seconds

DISTRIBUTED BY ARISIT PTY LTD

40-50 Mark Anthony Drive, Dandenong South VIC 3175
Ph: 1300 762 219 Fax: 03 9768 0838 Website: www.arisit.com