



WMH9900BLAUS

BUILT-IN 90CM MULTI-FUNCTION OVEN



FEATURES & BENEFITS



AIR FRY

With the built-in air fryer, oil-fried unhealthy food is a thing of the past. Now enjoy tasty yet healthy delicacies at the touch of a button.



GENTLE STEAM

The Gentle Steam function pairs the ultimate combination of assisted steam with a conventional cooking method, to ensure nutrients and juiciness are retained in the foods whilst maintaining a crispy exterior.



SMART CLEANING

Innovative SmartClean technology cleans the oven thoroughly and efficiently, leaving no odours and without requiring a detergent. SmartClean technology works together with an easy-to clean special enamel and offers a dedicated cycle that always delivers perfect cleaning results.



XXL CAVITY

All the space you need. The XXL cavity in your oven has a capacity of 133 Litres with 5 different shelf positions available.



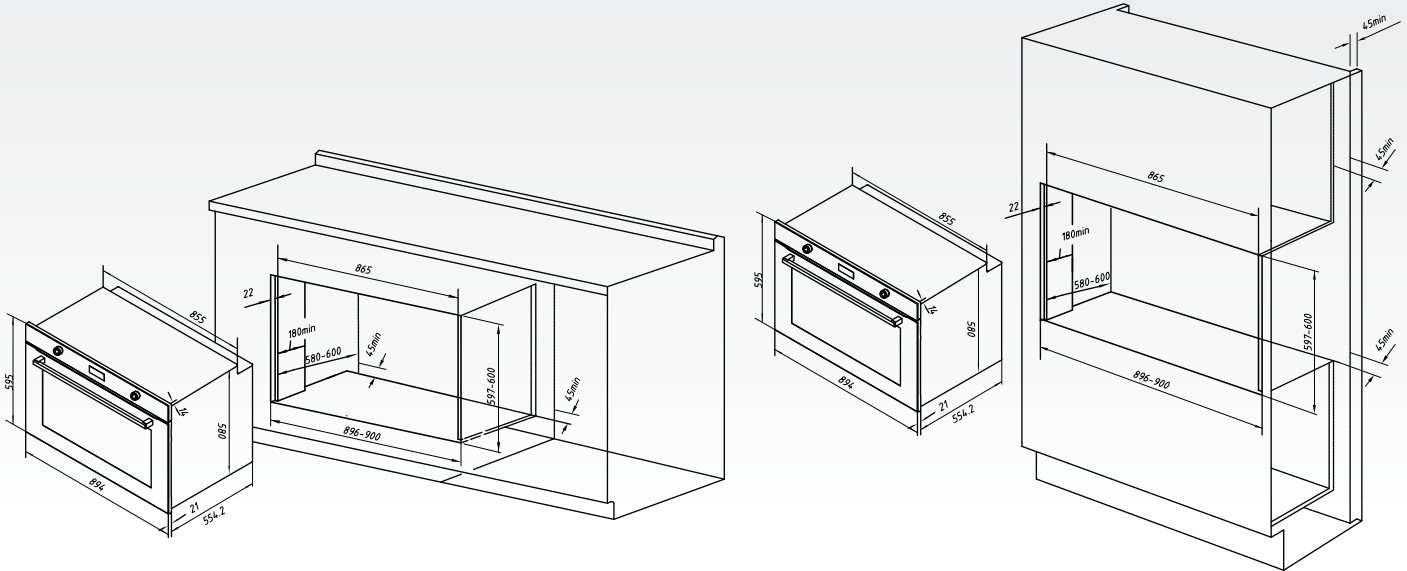
WARRANTY

Guarantees peace of mind and value for money knowing that any product fault or defect is covered by full replacement parts and/or a service call to ensure the product works as described.

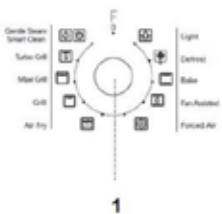
TECHNICAL SPECIFICATIONS

COLOUR/FINISH	Black Glass
DISPLAY	LED Digital
CONTROL	Black Knob
DOOR / HANDLE DESIGN	Triple Glass Door with Black Handle
CAVITY TYPE	Enamelled
CAPACITY	133 litres
COOKING SHELVES	5 shelves
WEIGHT	48.5kg
PRODUCT DIMENSION	W 894mm x H 575mm x D 595mm
CUT OUT DIMENSION	W 900mm x H 600mm x D 580mm
HEATING METHODS	Bake, Fan Assisted, Forced Air, Grill, Turbo Grill, Air Fry, Defrost, Maxi Grill, Gentle Steam
HEATING TEMPERATURE	60°C to 250°C
FEATURES	Kitchen Timer, Lamp x 2
CLEANING	Hydrolytic Cleaning
ACCESSORIES	Wire Shelf x 1, Baking Tray x 2, Air Fry Basket x 2
MAX. TOTAL POWER	3000-3600 W
VOLTAGE	220-240 V
FREQUENCY	50/60Hz
LENGTH OF ELECTRICAL CORD	110 cm, no plug
PACKAGING DIMENSIONS	W 942mm x H 656 mm x D 658mm
GROSS WEIGHT	53.5 kg
NET WEIGHT	48.5 kg
PLACE OF MANUFACTURE	Asia
WARRANTY	Five Year Parts and Labour

INSTALLATION GUIDE



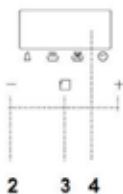
CONTROL PANEL



1

1. SELECTION KNOB
For switching the oven on by selecting a function. Turn to the 0 position to switch the oven off.

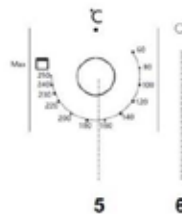
2. ADJUSTMENT BUTTONS
To decrease or increase the value shown on the display.



2 3 4

3. SETTING THE TIME
For accessing the cooking time settings, delayed start and timer.

4. DISPLAY



5 6

5. THERMOSTAT KNOB
Turn to select the temperature you require when activating manual functions.

6. LED THERMOSTAT / REHEATING
Switches on during the heating process. Switches off once the desired temperature is reached.