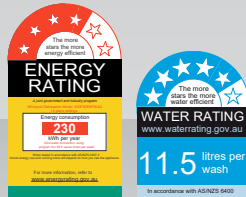




# W Collection

## WDFS3R4PIXAU 60CM 14 PLACE SETTING FREE-STANDING DISHWASHER



### FEATURES & BENEFITS



#### 6TH SENSE TECHNOLOGY

With 6th sense technology, it automatically senses how dirty the dishes are and adapts the cycle time and water pressure accordingly. It ensures to provide the perfect performance with water, energy & time saving.



#### POWER CLEAN PRO

Powerful water jets on the rear of the machine work to deliver supreme cleaning results on the toughest soil.



#### HALF LOAD

If there are not many dishes to be washed, a half loading may be used in order to save water, electricity and detergent.



#### SANITIZATION

Thanks to Sanitization option, it could eliminate 99.999% bacteria and provide more HYGIENE experience



#### NATURAL DRY

The automatic door opening at the end of the program ensures better and more natural drying. This system guarantees higher energy efficiency and better drying results.



#### FLEXIBLE UPPER RACK

The height of the upper rack can be adjusted according to your needs: high position to place bulky crockery in the lower basket and low position to make the most of the tip-up supports by creating more space upwards and avoid collision



#### MAXI-SPACE

Thanks to the Maxi-Space, the dishwasher provides you with a larger internal usable space that offers you greater ease and versatility to fit all your soiled dishes within.

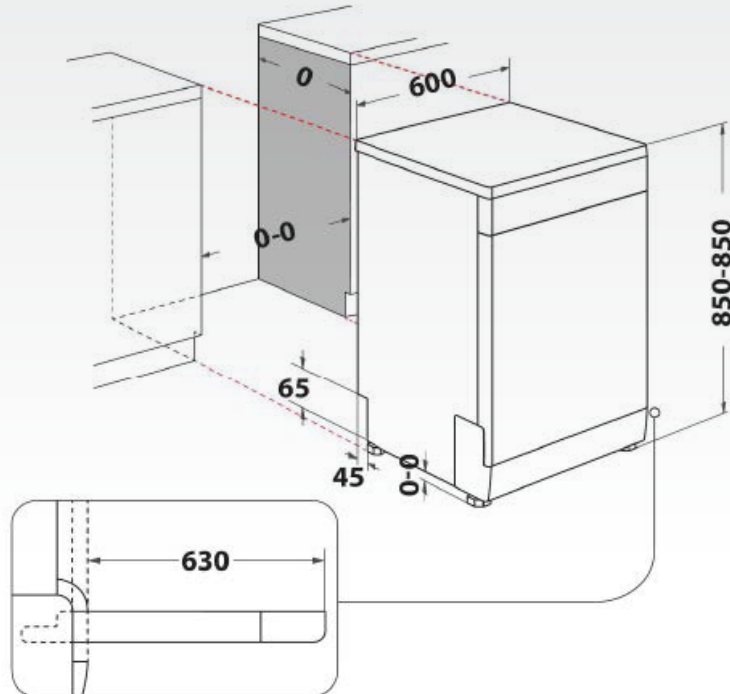
### TECHNICAL SPECIFICATIONS

COLOUR / FINISH	Stainless Steel Color
DISPLAY	LED Display
CONTROL	Touch UI
DOOR / HANDLE DESIGN	Square
CAPACITY	14 place settings
NET WEIGHT	50kg
PRODUCT DIMENSION	W 600mm x H 850mm x D 590mm
PROGRAMMES	Eco, Auto Intensive, Auto Mixed, Auto Fast, Crystals, Rapid, Prewash, Selfclean
FEATURES	6th Sense, Power Clean, Half Load, Sanitization, Natural Dry, Removable cutlery rack, Removable upper rack with double cup shelves and rubber mat for glass protection, Removable Lower rack with Pan holder, Dual Inverter, Maxi-Space
NOISE	45 dBA
WATER CONSUMPTION	11.5 liters
WATER RATING	5.0 stars rating
ENERGY CONSUMPTION	230 kwh/year
ENERGY RATING	4.0 stars rating
VOLTAGE	220 - 240V
CURRENT	10 amp
PLUG TYPE	Australian
LENGTH OF HOSE	Inlet: 155cm   Outlet: 150 cm
LENGTH OF ELECTRIC CORD	130cm
PACKAGING DIMENSIONS	W 625mm x H 910mm x D 675mm
GROSS WEIGHT	53kg
WARRANTY	5 Years
PLACE OF MANUFACTURE	Made in China

DISTRIBUTED BY ARISIT PTY LTD

40-50 Mark Anthony Drive, Dandenong South VIC 3175  
Ph: 1300 762 219 Fax: 03 9768 0838 Website: www.arisit.com

## INSTALLATION GUIDE



## CONTROL PANEL

### CONTROL PANEL



- |   |  |
|---|--|
| <ol style="list-style-type: none"> <li>1. ON-OFF/Reset button with indicator light</li> <li>2. Eco program button with indicator light</li> <li>3. Auto Intensive program button with indicator light</li> <li>4. Auto Mixed program button with indicator light</li> <li>5. Auto Fast program button with indicator light</li> <li>6. Rapid program button with indicator light</li> <li>7. Crystals program button with indicator light</li> <li>8. Prewash program button with indicator light</li> <li>9. Salt reservoir empty indicator light</li> <li>10. Rinse Aid reservoir empty indicator light</li> <li>11. Display</li> </ol> | <ol style="list-style-type: none"> <li>12. Program number and remaining time indicator</li> <li>13. Closed water tap indicator light</li> <li>14. DESCALE indicator light</li> <li>15. Power Clean® option button with indicator light</li> <li>16. Half Load option button with indicator light/ Settings - 3 sec. press</li> <li>17. Extra Dry option button with indicator light</li> <li>18. Silent option button with indicator light/ Key lock - 3 sec. press</li> <li>19. Sani Rinse option button with indicator light</li> <li>20. Self-Clean program button with indicator light</li> <li>21. Delay option button with indicator light</li> <li>22. START/Pause button with indicator light</li> </ol> |
|---|--|