



SMP658CNEIXL

65CM FULL FLEXI INDUCTION COOKTOP



FEATURES & BENEFITS



6TH SENSE SMART SET

With 6 pre-set automatic functions, cooking has never been this easy. Select the programme and the hob will automatically adjust the heat level and time accordingly, to get the perfect results every time.



IXELIUM

To preserve their unique elegance, Whirlpool created iXelium, a nanotechnology glass treatment designed to keep the hob shiny and scratchless as on the first day. Easy to clean from stains and fingerprints as well as scratch-resistant, iXelium will guarantee an everlasting beauty to the hob. With its new design and iXelium's special coating, Whirlpool just brought induction cooktops to a whole new level.



FLEXIMAX

Flexifull enables pots and pans of different shapes and sizes to be freely moved across the completely flexible surface. Thanks to the liberty for Flexifull, it is possible to use the same full temperature across the entire cooking top. The cooking revolution starts here.



EASY DISPLAY

Dedicated sliders for each cooking zone and just one finger needed to control them all. With 18 + boosters, heat can be accurately set for unfaltering cooking results.



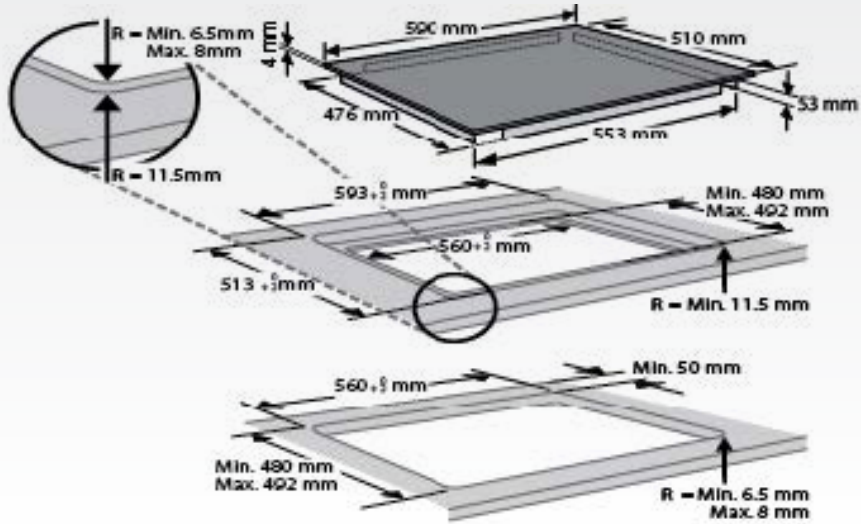
WARRANTY

Guarantees peace of mind and value for money knowing that any product fault or defect is covered by full replacement parts and/or a service call to ensure the product works as described.

TECHNICAL SPECIFICATIONS

MAIN COLOUR FINISH	Glass Ixelium
PRODUCT DIMENSIONS	W 650mm x H 54mm x D 510mm
COOKING ZONES	8
BOOSTER ZONES	8
FLEXIBLE ZONES	Full Flexi
FUNCTIONS	6th SENSE SmartSense Automatic Programs Simmering Melting Moka Keep Warm Smart Grilling Smart Frying Chef Control Power Management
CONTROLS	Touch Assisted Display
TIMERS	5
TOTAL POWER	7.4kW
POWER LEVELS	18 + Booster
CURRENT	32.amps
INSTALLATION	Built-In
NET WEIGHT	13.4kg
WARRANTY	5 years

CUT OUT DIMENSIONS



CLEARANCE DIMENSIONS

