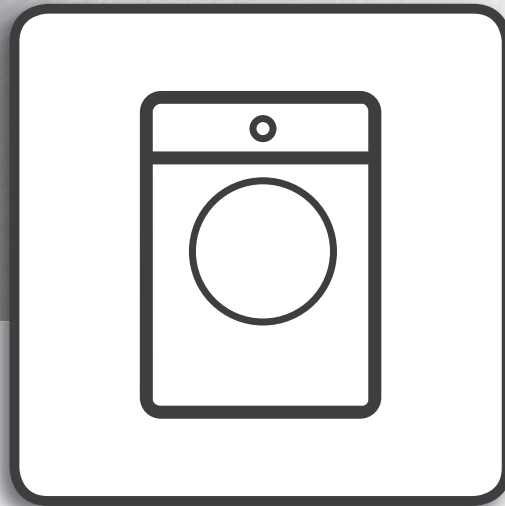


**Whirlpool**



**User Manual**



[www.whirlpool.com.au](http://www.whirlpool.com.au)

## SAFETY INSTRUCTIONS

Before using the appliance, read these safety instructions. Keep them nearby for future reference. These instructions and the appliance itself provide important safety warnings, to be observed at all times. The manufacturer declines any liability for failure to observe these safety instructions, for inappropriate use of the appliance or incorrect setting of controls.

⚠ Very young children (0-3 years) should be kept away from the appliance. Young children (3-8 years) should be kept away from the appliance unless continuously supervised. Children from 8 years old and above and persons with reduced physical, sensory or mental capabilities or lack of experience and knowledge can use this appliance only if they are supervised or have been given instructions on safe use and understand the hazards involved. Children must not play with the appliance. Cleaning and user maintenance must not be carried out by children without supervision. Never open the door forcibly or use it as a step.

### PERMITTED USE

⚠ **CAUTION:** The appliance is not intended to be operated by means of an external switching device, such as a timer, or separate remote controlled system.

⚠ This appliance is intended to be used in household and similar applications such as: staff kitchen areas in shops, offices and other working environments; farm houses; by clients in hotels, motels, bed & breakfast and other residential environments.

⚠ Do not load the machine above the maximum capacity (kg of dry cloth) indicated in the programme table.

⚠ This appliance is not for professional use. Do not use the appliance outdoors.

⚠ Do not use any solvents (e.g. turpentine, benzene), detergents containing solvents, scouring powder, glass or general purpose cleaners, or flammable fluids; do not machine wash fabrics that have been treated with solvents or flammable liquids.

⚠ Do not dry unwashed items in the tumble dryer.

⚠ Items that have been soiled with substances such as cooking oil, acetone, alcohol, petrol, kerosene, spot removers, turpentine, waxes and wax removers should be washed in hot water with an extra amount of detergent before being dried in the tumble dryer.

## IMPORTANT TO BE READ AND OBSERVE

⚠ Items such as foam rubber (latex foam), shower caps, waterproof textiles, rubber backed articles and clothes or pillows fitted with foam rubber pads should not be dried in the tumble dryer.

⚠ Fabric softeners, or similar products, should be used as specified by the fabric softener instructions.

⚠ The final part of a tumble dryer cycle occurs without heat (cool down cycle) to ensure that the items are left at a temperature that ensures that the items will not be damaged.

⚠ Never stop a tumble dryer before the end of the drying cycle unless all items are quickly removed and spread out so that the heat is dissipated.

⚠ During the drying phase, the door tends to get quite hot.

⚠ Do not use the appliance to dry clothes that have been washed with flammable solvents (e.g. trichlorethylene).

⚠ Do not use the appliance to dry foam rubber or similar elastomers.

⚠ Make sure that the water tap is turned on during the drying cycles.

⚠ Remove all objects from pockets such as lighters and matches.

### INSTALLATION

⚠ The appliance must be handled and installed by two or more persons - risk of injury. Use protective gloves to unpack and install - risk of cuts.

If you want to stack a dryer on top of your washing machine, first contact our After-Sales Service or your specialist dealer to verify whether this is possible. This is only possible if the dryer is attached to the washing machine by means of appropriate stacking kit available through our After-Sales Service or your specialist dealer.

⚠ Move the appliance without lifting it by the worktop or top lid.

⚠ Installation, including water supply (if any) and electrical connections and repairs must be carried out by a qualified technician. Do not repair or replace any part of the appliance unless specifically stated in the user manual. Keep children away from the installation site. After unpacking the appliance, make sure that it has not been damaged during transport. In the event of problems, contact the dealer or your nearest After-sales Service. Once installed, packaging waste (plastic, styrofoam parts etc.)

must be stored out of reach of children - risk of suffocation. The appliance must be disconnected from the power supply before any installation operation - risk of electric shock. During installation, make sure the appliance does not damage the power cable - risk of fire or electric shock. Only activate the appliance when the installation has been completed.

⚠ Do not install your appliance where it may be exposed to extreme conditions, such as: poor ventilation, temperatures below 5 °C or above 35 °C.

⚠ When installing the appliance make sure that the four feet are stable and resting on the floor, adjusting them as required, and check that the appliance is perfectly to level using a spirit level.

⚠ If the appliance is being installed on wood or "floating" floors (certain parquet and laminate materials), secure a 60 x 60 x 3 cm (at least) sheet of plywood to the floor then place the appliance on top of this.

⚠ Connect the water inlet hose(s) to the water supply in accordance with the regulations of your local water company.

⚠ For cold fill only models: do not connect to the hot water supply.

⚠ For models with hot fill: the hot water inlet temperature must not exceed 60 °C.

⚠ The washing machine is fitted with transport bolts to prevent any possible damage to the interior during transport. Before using the machine, it is imperative that the transport bolts are removed. After their removal, cover the openings with the 4 enclosed plastic caps.

⚠ After installation of the device, wait a few hours before starting it so that it acclimates to the environmental conditions of the room.

⚠ Make sure that the ventilation openings in the base of your washing machine (if available on your model) are not obstructed by a carpet or other material.

⚠ Use only new hoses to connect the appliance to the water supply. The old hose-sets should not be reused.

⚠ The supply water pressure must be in the 0.1-1 Mpa range.

## ELECTRICAL WARNINGS

⚠ It must be possible to disconnect the appliance from the power supply by unplugging it if plug is accessible, or by a multi-pole switch installed upstream of the socket in accordance with the wiring rules and the appliance must be earthed in conformity with national electrical safety standards.


⚠ Do not use extension leads, multiple sockets or adapters. The electrical components must not be accessible to the user after installation. Do not use the appliance when you are wet or barefoot. Do not operate this appliance if it has a damaged power cable or plug, if it is not working properly, or if it has been damaged or dropped.

⚠ If the supply cord is damaged, it must be replaced with an identical one by the manufacturer, its service agent or similarly qualified persons in order to avoid a hazard - risk of electric shock.

## CLEANING AND MAINTENANCE

⚠ **WARNING:** Ensure that the appliance is switched off and disconnected from the power supply before performing any maintenance operation; never use steam cleaning equipment - risk of electric shock.


## DISPOSAL OF PACKAGING MATERIALS

The packaging material is 100% recyclable and is marked with the recycle symbol .

The various parts of the packaging must therefore be disposed of responsibly and in full compliance with local authority regulations governing waste disposal.

## DISPOSAL OF HOUSEHOLD APPLIANCES

This appliance is manufactured with recyclable or reusable materials. Dispose of it in accordance with local waste disposal regulations. For further information on the treatment, recovery and recycling of household electrical appliances, contact your local authority, the collection service for household waste or the store where you purchased the appliance. This appliance is marked in compliance with European Directive 2012/19/EU, Waste Electrical and Electronic Equipment (WEEE). By ensuring this product is disposed of correctly, you will help prevent negative consequences for the environment and human health.

The symbol  on the product or on the accompanying documentation indicates that it should not be treated as domestic waste but must be taken to an appropriate collection center for the recycling of electrical and electronic equipment.



# DAILY REFERENCE GUIDE



**THANK YOU FOR BUYING A WHIRLPOOL PRODUCT.**  
For even more complete user support, register your appliance at [www.whirlpool.com.au](http://www.whirlpool.com.au)



Download the **Instructions for use** from the website <http://docs.whirlpool.eu>  
Follow the procedure described on the last page.

**Please read the content of the *Health & Safety and Installation Guides* thoroughly before you use this appliance.**

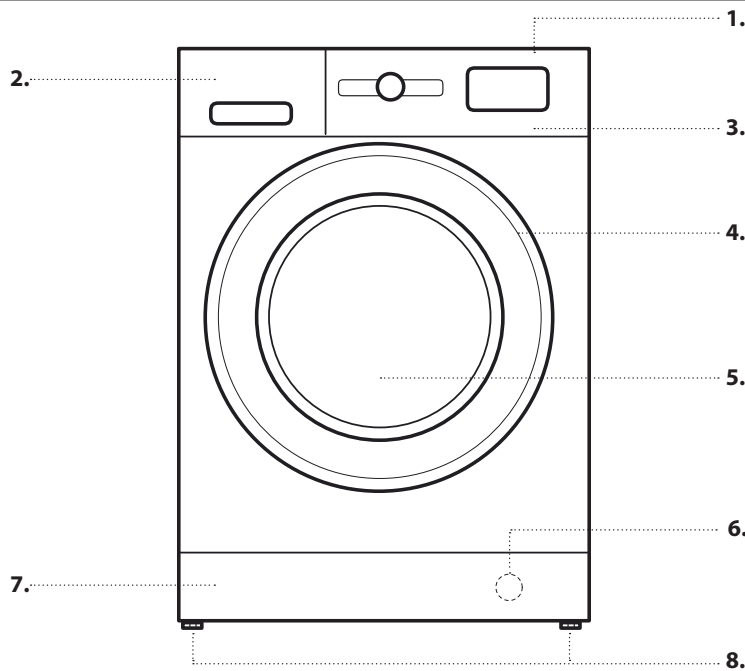


The transit bolts must be removed before the appliance is used.

See the *Health & Safety and Installation Guides* for detailed instructions on how to remove the transit bolts

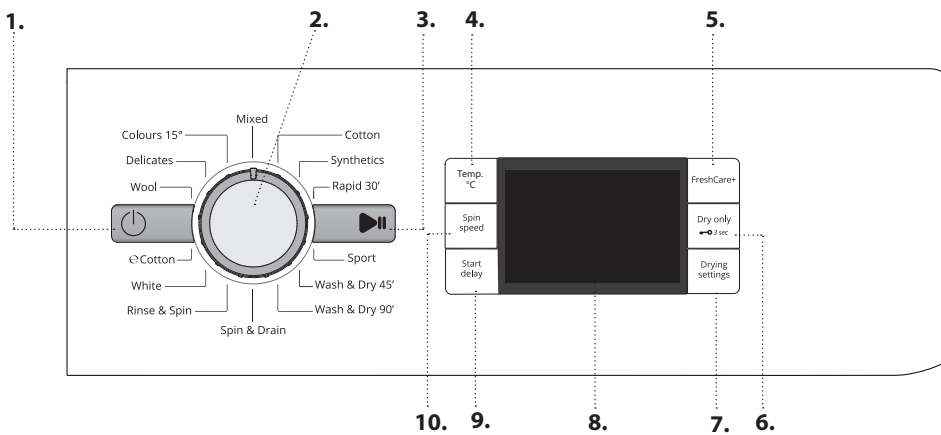
## PRODUCT DESCRIPTION

### APPLIANCE



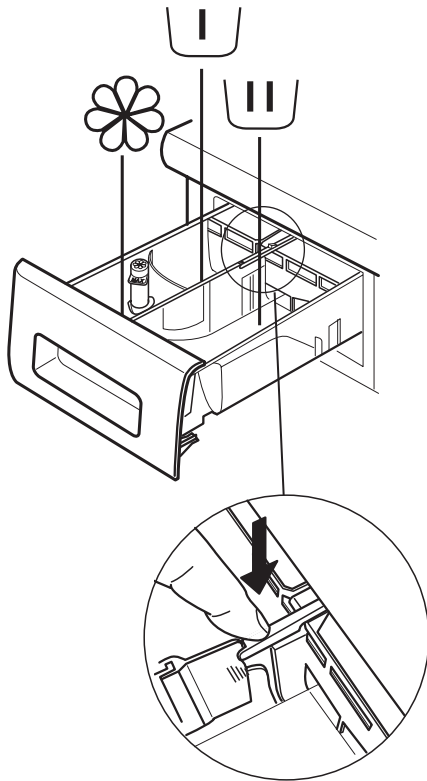
1. Top
2. Detergent dispenser
3. Control Panel
4. Lid handle
5. Door
6. Water filter - behind kick panel
7. Removable kick panel
8. Adjustable feet (2)

### CONTROL PANEL



1. On/Off button
2. Programme selector
3. Start/Pause button
4. Temperature button
5. FreshCare+ button
6. Dry Only button / Lock button
7. Drying settings button
8. Display
9. Start delay button
10. Spin speed button

## DETERGENT DISPENSER



### Prewash Compartment

- Detergent for prewash



### Main Wash Compartment

- Detergent for the main wash
- Stain remover
- Water softener



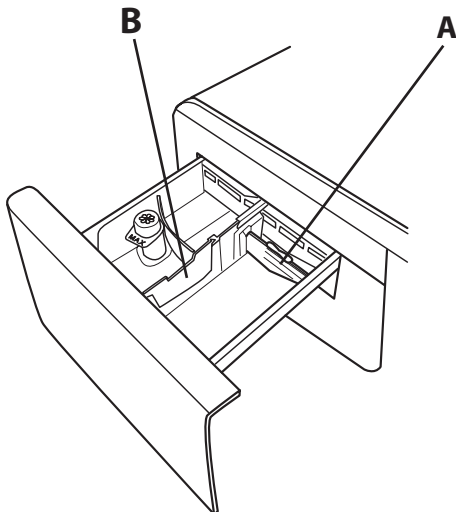
### Softener compartment

- Softener
- Liquid starch

**Pour softener or starch solution into the compartment without exceeding the "max" level.**

### Release button

(Press to remove tray for cleaning).



Preferably use the partition **A** when washing with a liquid detergent for washing, to ensure that the correct quantity of detergent is used (the partition is included in the bag containing the instructions).

Move the partition into slot **B** when using detergent powder.

## FIRST TIME USE

See the section *DAILY USE* for instructions on selecting and starting a programme.


### FIRST CYCLE OPERATION

Remove any manufacturing debris:

1. Select the "Cotton" programme with a temperature setting of 60 °C.
2. Pour a small quantity of detergent powder into the main wash compartment of the detergent dispenser (maximum 1/3 of the quantity the detergent manufacturer recommends for lightly soiled laundry).
3. Start the programme **without loading the washer dryer machine** (with empty drum).



# DAILY USE


For more information on functions, a more detailed guide may be requested or downloaded from the website following the instructions given on the last page. 

## 1. LOADING LAUNDRY.



- Prepare the laundry, following the recommendations given in the section "HINTS AND TIPS". - Open the door and load the laundry into the drum, without exceeding the maximum load capacities indicated in the *Programme Chart*.
- Close the door, pressing until the latch audibly locks, and check that there is no laundry trapped between the door glass and the rubber seal.



## 2. OPEN THE WATER TAP

Check that the washer dryer is connected correctly to the water mains. Open the water tap. 

## 3. SWITCHING ON THE WASHER DRYER MACHINE.

Press button ; the lamp  flashes slowly.

## 4. SELECTING A PROGRAMME AND CUSTOMISING A CYCLE.

The following functions are possible with this appliance:

- Wash only
- Wash and dry
- Dry only

### Wash only

Select the required programme with the PROGRAMME selector dial. The duration of the wash cycle is shown on the display. The washer dryer machine automatically displays the maximum temperature and spin speed settings possible for the selected programme. Adjust the temperature and/or spin speed settings if needed with the relative buttons.

- Press button "Temp°C" to cycle through progressively lower temperature settings until cold wash is set ("- -") shown on display.
- Press button "Spin speed" to cycle through progressively lower spin speed settings until the spin cycle is turned off ("0" shown on display).

Pressing the button again sets the highest possible setting. Select the required options (if necessary).

- Press the button to select the option; the respective button lamp illuminates.
- Press the button again to cancel the option; the lamp extinguishes.

! If the selected option is not compatible with the programme set, an error warning tone sounds and the indicator lamp flashes three times. The option is not selected.

### Wash and dry

To wash and dry a load with no interruption between the wash and dry cycles, make sure that the load does not exceed the maximum permissible drying load for the selected programme (see the column "Max. load for drying cycle" in the *Programme chart*).


1. Follow the instructions given in the paragraph "Wash Only" to select and, if necessary, customise the required programme.


2. Press "Drying settings" to select the required drying mode. Two drying modes are available: automatic or timer.

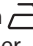
- *Automatic drying with selectable levels:*

In automatic drying mode, the washer dryer machine dries the laundry until the set level of dryness is reached. Pressing button "Drying settings" once automatically selects the highest drying level available for the selected programme. Press the button again to reduce the drying level.

The following levels are available:

Wardrobe : laundry is completely dry and ready to be put away in the wardrobe without ironing.

Hanger : laundry is left slightly damp to minimise creasing. Garments must be hung to air dry completely.

Iron : garments are left reasonably damp to make ironing easier.

- *Timer drying mode:*

Press button "Drying settings" repeatedly to set timer drying mode. After cycling through all the automatic drying levels, continue pressing button "Drying settings" until the desired time is displayed. Values from 210 to 30 minutes are settable.

To wash a load of laundry larger than the maximum permissible load for drying (see the column "Max. load for drying cycle" in the *Programme chart*), remove a few garments once the washing cycle has finished before starting the drying cycle. Proceed as follows:

1. Follow the instructions given in the paragraph "Wash Only" to select and, if necessary, customise the required programme.
2. Do not include a drying cycle.
3. Once the washing cycle is finished, open the door and remove a few garments to reduce the load. Now follow the instructions for "Dry only".

N.B.: always allow a cooling down period after drying before opening the door.

When using the two preset cycles "Wash & Dry 45'" and "Wash & Dry 90'", it is not necessary to select and start a drying cycle.

### Dry only


This function is used to simply dry a wet load washed previously in the washer dryer or by hand.


1. Select a suitable programme for the laundry you want to dry (e.g. select cotton to dry wet cotton laundry).
2. Press button "Dry only" to dry without a wash cycle.
3. Press "Drying settings" to select the required drying mode. Two drying modes are available: automatic or timer.


- *Automatic drying with selectable levels:*

In automatic drying mode, the washer dryer machine dries the laundry until the set level of dryness is reached. Pressing button "Drying settings" once automatically selects the highest drying level available for the selected programme. Press the button again to reduce the drying level.

The following levels are available:

Wardrobe : laundry is completely dry and ready to be put away in the wardrobe without ironing.

Hanger : laundry is left slightly damp to minimise creasing. Garments must be hung to air dry completely.

Iron : garments are left reasonably damp to make ironing easier.

- *Timer drying mode:*

Press button "Drying settings" repeatedly to set timer drying mode. After cycling through all the automatic drying levels, continue pressing button "Drying settings" until the desired time is displayed.

Values from 210 to 30 minutes are settable.

N.B.: always allow a cooling down period after drying before opening the door.



## 5. USING THE CORRECT AMOUNT OF DETERGENT.

Pull out the tray and pour detergent into the relative compartments as described in "Detergent dispenser". This is only necessary when using a wash only or a wash + dry programme.


## 6. DELAYING THE START OF A PROGRAMME.

To set a programme to start at a later time, see the section "Options and Functions".

## 7. STARTING A PROGRAMME.


Press the START/PAUSE button. The relative indicator lamp illuminates, the door locks and the door open  symbol extinguishes. To change a programme while a cycle is in progress, press START/PAUSE to pause the washer dryer (the START/ PAUSE lamp flashes amber slowly); then select the required cycle and press START/PAUSE again. To open the door while a cycle is in progress, press START/PAUSE; the door may be opened if the  symbol lights. Press the START/PAUSE button again to resume the programme from where it was paused.

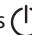
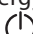
## 8. CANCELLING A RUNNING PROGRAMME (IF NECESSARY)

Press and hold the button  until the washer dryer stops. If the water level and temperature are low enough, the door unlocks and may be opened.

The door remains locked if there is water in the drum. To unlock the door, switch the washer dryer on, select the SPIN & DRAIN programme and turn the spin function off by setting the spin speed to 0. The water is emptied and the door unlocks at the end of the programme.

## 9. SWITCHING THE WASHER DRYER OFF AT THE END OF A PROGRAMME.

At the end of the cycle, the message "END" is shown on the display. The door can only be opened when the  symbol lights. Check that the door unlocked symbol is lit, then open the door and take out the laundry.

Press  to switch the washer dryer off. To save energy, if the washer dryer is not switched off manually with the  button, it turns off automatically approximately 30 minutes after the end of the programme.

Leave the door ajar to let the interior of the washer dryer dry.

# HINTS AND TIPS

## RULES FOR SEPARATING LAUNDRY

- Fabric type / indications on label (cotton, mixed fibres, synthetic, wool, handwash items)
- Colour (separate coloured garments from whites, wash new coloured items separately)
- Size (wash items of different sizes in the same load to improve washing efficacy and weight distribution in the drum)
- Delicates (place small items – such as nylon stockings – and garments with clasps – such as braziers – in a laundry bag or in a pillow case with a zip).






## EMPTY POCKETS

- Objects such as coins or safety pins can damage laundry and the washer dryer drum.

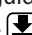
## WASH SYMBOLS

### ON GARMENT LABELS


The value given in the tub symbol is the maximum temperature possible for washing the garment.

-  Normal mechanical action
-  Reduced mechanical action
-  Much reduced mechanical action
-  Hand wash only
-  Do not wash

## CLEAN THE WATER FILTER REGULARLY

- This is needed to prevent the filter from blocking and preventing the water from draining correctly. See the section “*Cleaning and Maintenance*” / “*Cleaning the water filter*” in the detailed guide that may be requested or downloaded from the website.  [www](#)

## SAVING ENERGY AND PROTECTING THE ENVIRONMENT

- Keeping within the load limits indicated in the programme chart will optimise energy, water and detergent consumption and reduce washing times.
- Do not exceed the detergent quantities recommended by the detergent manufacturer.
- Save energy by using a 60°C instead of a 90°C wash programme, or by using a 40°C instead of a 60°C wash programme. We recommend using the “ Cotton ” 60°C programme for cotton garments, which is longer but uses less energy.
- To save energy and time when washing and drying, select highest spin speed available for the programme to reduce the residual water remaining in the garments at the end of the wash cycle.

**WARNING:** In the appliance enclosure or in the built-in structure, keep ventilation openings on the bottom of the appliance clear of obstruction.




**WARNING:** the appliance is not to be used if industrial chemicals have been used for cleaning.

**WARNING:** the appliance must not be installed behind a lockable door, a sliding door or a door with a hinge on the opposite side to that of the tumble dryer, in such a way that a full opening of the tumble dryer door is restricted.

**WARNING:** The appliance must not be supplied through an external switching device, such as a timer, or connected to a circuit that is regularly switched on and off by a utility.



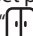
# PROGRAMME CHART

Programme	Available temperatures	Max. spin speed (rpm)	Drying	Max. load for wash cycle (kg)	Max. load for drying cycle (kg)	Duration (Minutes)	Detergents and additives			Recommended detergent	
							Prewash	Main	Softener	Powder	Liquid
											
MIXED	❄ - 40°C	1000	✓	5,5	5,5	The duration of the wash cycle can be checked on the display.	-	●	○	-	✓
COTTON	❄ - 60°C	1600	✓	8,5	6		-	●	○	✓	✓
SYNTHETICS	❄ - 60°C	1200	✓	5,5	5		-	●	○	✓	✓
RAPID 30'	❄ - 30°C	800	-	4	-		-	●	○	-	✓
SPORT	❄ - 40°C	600	✓	4,5	4,5		-	●	○	-	✓
WASH & DRY 45'	30°C	1600	✓	1	1		-	●	○	-	✓
WASH & DRY 90'	30°C	1200	✓	2	2		-	●	○	-	✓
SPIN & DRAIN *	-	1600	✓	9	6		-	-	-	-	-
RINSE & SPIN	-	1600	✓	9	6		-	-	○	-	-
WHITE	❄ - 90°C	1600	✓	8,5	6		● (90°)	●	○	✓	
e COTTON (1)	60°C	1600	✓	9	6		-	●	○	✓	✓
	❄ - 50°C	1600	✓	8,5	6		-	●	○	✓	✓
WOOL	❄ - 40°C	800	✓	2,5	2,5		-	●	○	-	✓
DELICATES	❄ - 30°C	0	✓	1	1		-	●	○	-	✓
COLOURS 15°	15°C	1000	✓	5,5	5,5	-	●	○	-	✓	

 Selectable/optional      - Not selectable/applicable      ● Required quantity      ○ Optional quantity

For wash programmes with temperatures above 50°C, we recommend using powder detergent rather than liquid, and following the directions given on the detergent package.

\* Select the SPIN & DRAIN programme and set the spin speed to 0 to empty only.

1) Test wash cycle in compliance with regulation AS/NZS 2040.2: set programme "e Cotton" with a temperature of 60°C at 1600 rpm and Drying test in compliance with AS/NZ 2442.2 set programme "e Cotton" with  dryness level.

The cycle duration indicated on the display or in the manual is an estimated time calculated for standard conditions. The actual cycle time may vary in relation to a number of different factors, such as inlet water temperature and pressure, ambient temperature, quantity of detergent, size and type of load, load balancing and any additional optional functions selected.

# PROGRAMMES

Follow the directions indicated in the garment wash symbols.

## MIXED

For washing lightly to normally soiled resilient garments in cotton, linen, synthetic fibres and mixed fibres.

## COTTON

For washing normally to heavily soiled towels, underwear, table and bed linen etc. In resilient cotton and linen.

## SYNTHETICS

For washing normally soiled garments made from synthetic fibres (such as polyester, polyacrylic, viscose etc.) Or cotton/synthetic blends.

## RAPID 30'

For washing lightly soiled garments quickly: this cycle lasts only 30 minutes, saving time and energy. Maximum load 4 kg.

## SPORT

For washing lightly soiled sports clothing (tracksuits, shorts, etc.). For best results, we recommend not exceeding the maximum load indicated in the 'PROGRAMME CHART'. We recommend using liquid detergent, and adding the amount suitable for half-load.

## WASH & DRY 45'

For washing and drying lightly soiled cotton and synthetic fibre garments quickly. This cycle washes and dries a laundry load of up to 1 kg in just 45 minutes.

## WASH & DRY 90'

For washing and drying cotton and synthetic fibre garments quickly. This cycle washes and dries a laundry load of up to 2 kg in just 90 minutes.

## SPIN & DRAIN

Spins the load then empties the water. For resilient garments.

## RINSE & SPIN

Rinses and then spins. For resilient garments.

## WHITE

For washing normally to heavily soiled towels, underwear, table and bed linen, etc in resilient cotton and linen. Only when the temperature is selected at 90°C the cycle is provided with a prewash phase before main washing phase. In this case it is recommended to add detergent both, in the prewash and main wash section.

## COTTON

For washing normally soiled cotton garments. At 40°C and 60°C, this is the standard cotton programme and the most efficient and terms of water and energy consumption.

## WOOL

All wool garments can be washed using programme "Wool" even those carrying the "hand-wash only" label. For best results, use special detergents and **do not exceed max kg declaration of laundry**.

## DELICATES

For washing particularly delicate garments. Preferably turn garments inside out before washing.

## COLOURS 15°

This cycle helps protect colours by washing in cold water (15°C) and uses less energy to heat the water while still offering satisfactory wash results. Suitable for lightly soiled, unstained garments. This cycle offers wash results comparable to 40°C mixed at just 15°C

# OPTIONS AND FUNCTIONS

## OPTIONS selectable directly by pressing the relative button

! If the selected option is not compatible with the programme set, an error warning tone sounds and the indicator lamp flashes three times. The option is not selected.

## FRESHCARE+

If associated with wash cycles, this option increases their performances by generating steam to block proliferation of the main sources of unpleasant odours inside the appliance (exclusively for the wash). After the steam phase, the machine runs a delicate cycle with slow drum rotations. When the FRESHCARE+ option is associated with drying cycles, it prevents stubborn creases from stabilising on garments, thanks to slow drum rotations. The FreshCare+ cycle starts at the end of the wash or drying cycle and continues for maximum 6 hours; it can be interrupted at any time by pressing any button on the control panel, or by turning the knob. Wait roughly 5 minutes before opening the door.

## START DELAY

To set the selected programme to start at a later time, press the button to set the desired delay time. The symbol lights on the display when this function is enabled. To cancel the delayed start, press the button again until the value "0" is shown on the display.

## LOCK BUTTON

To lock the control panel, press and hold the button "dry only" for approximately 3 seconds, The symbol lights on the display to indicate that the control panel is locked (with the exception of the button). This prevents unintentional changes to programmes, especially with children near the machine.

If any attempt is made to use the control panel, the symbol flashes on the display.

To unlock the control panel, press and hold the button "Dry only" for approximately 3 seconds.

# CLEANING AND MAINTENANCE

## **⚠ WARNING**

Be sure to turn off the washer dryer and disconnect it from its electrical power supply before performing any cleaning or maintenance operations.

Never use flammable liquids to clean the washer dryer.

## CLEANING THE WASHER DRYER EXTERNALLY

Clean the washer dryer's external parts using a soft damp cloth.



Do not use generic detergents, glass detergents, abrasive powders, or other similar products to clean the control panel, as these could damage the printed elements.

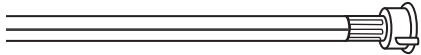
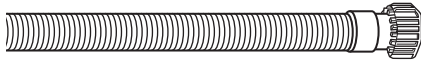
---

## CHECKING THE WATER INTAKE HOSE

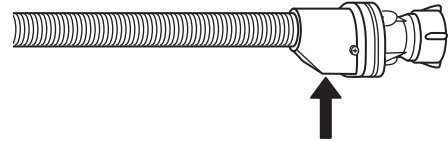
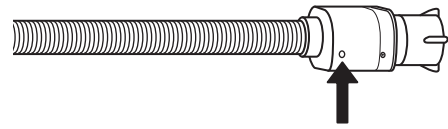
---

Periodically check the integrity of the water intake hose. If it is found to be damaged, contact Customer Support or an authorised dealer in order to obtain a replacement hose.

Based on the type of hose:



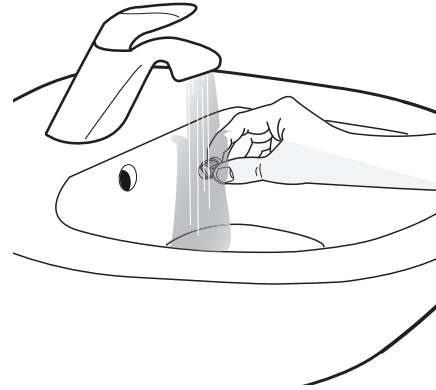
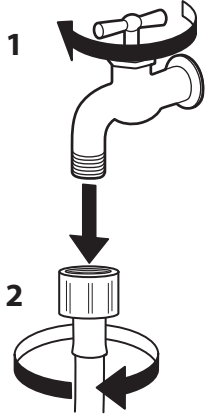
If the water intake hose has a transparent cover, periodically check to make sure that there are no areas where the colour is more pronounced. In such cases, the hose may have a leak and may need to be replaced.



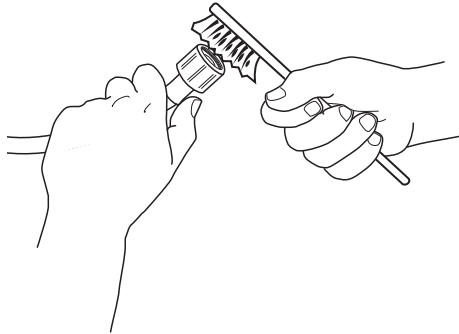
For flood protection hoses: check the safety valve's inspection window (see the arrow). If it's red, this means that the flood protection function has been engaged; in this case, the hose will have to be replaced with a new one. In order to detach the hose, press the release button (if present) and unscrew the hose.

# CLEANING THE FILTERS IN THE WATER INTAKE HOSE

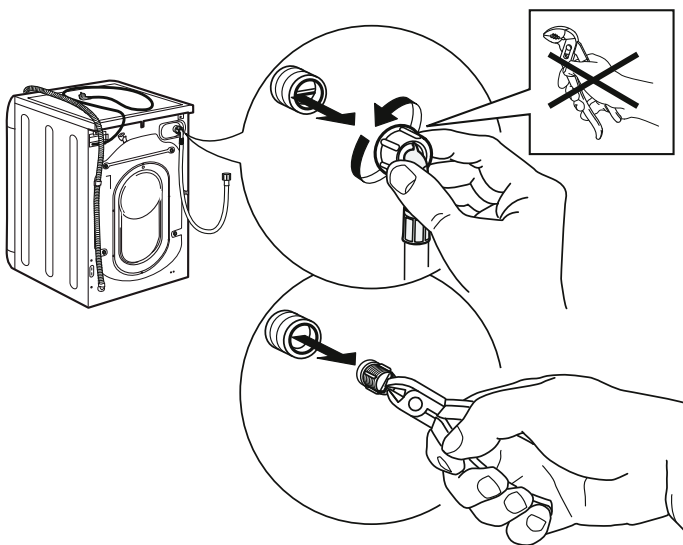
**1.** Close the water tap and unscrew the intake hose.



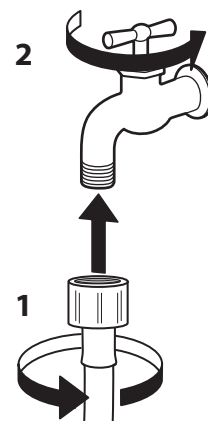
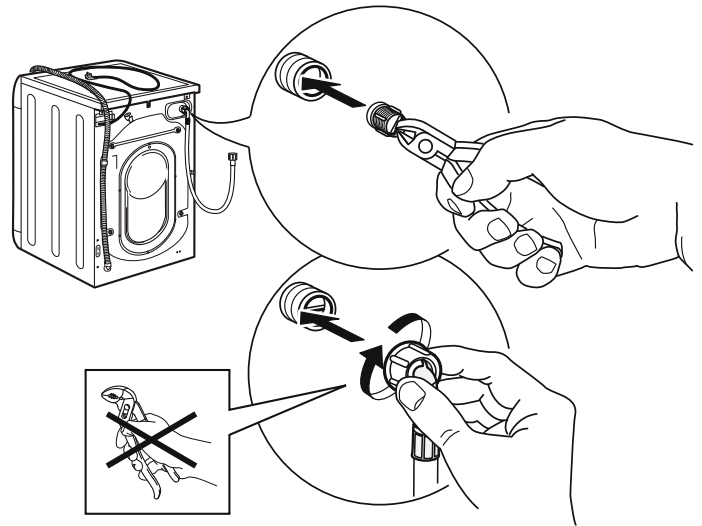
**2.** Thoroughly clean the mesh filter at the end of the hose using a brush.



**3.** At this point, manually unscrew the intake hose from the back of the washer dryer. Using pliers, extract the mesh filter from the valve on the back of the washer dryer and clean it.



**4.** Re-insert the mesh filter. Reconnect the intake hose to the water tap and the washer dryer. Do not use tools to connect the intake hose. Open the water tap and check to make sure that all the connections have been tightened properly.

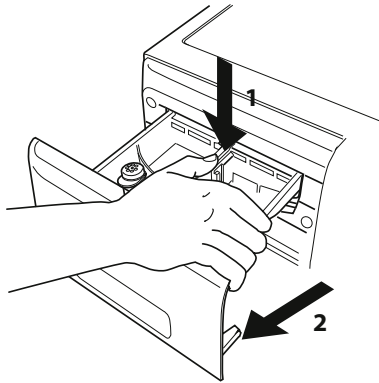


---

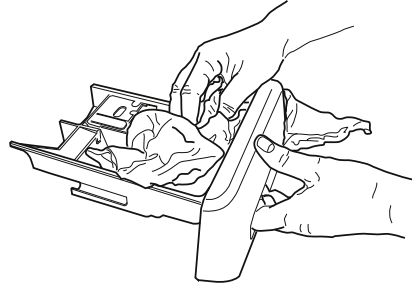
# CLEANING THE DETERGENT DISPENSER

---

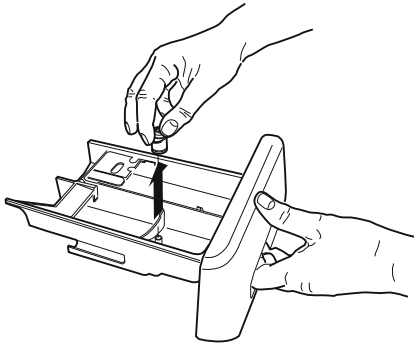
- 1.** Remove the detergent dispenser by pressing the release button and pulling on the dispenser at the same time.



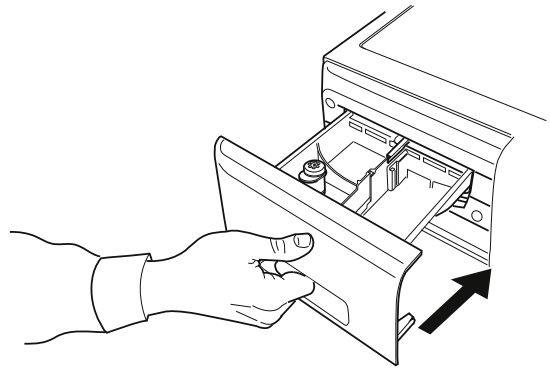
- 4.** Dry with a soft cloth.



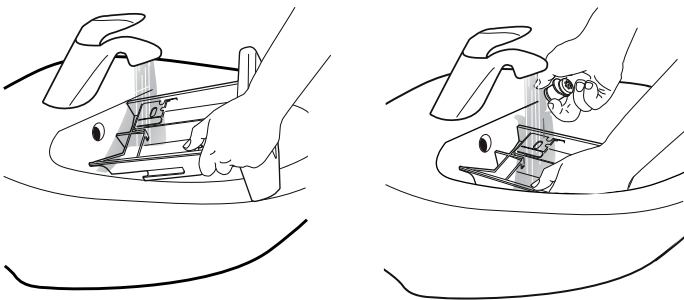
- 2.** Remove the insert from the fabric softener compartment.



- 5.** Re-install the detergent dispenser and close it.



- 3.** Wash the components under running water, taking care to remove all the detergent and fabric softener residues.



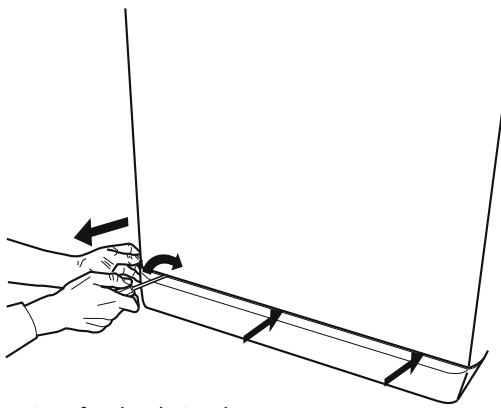
# CLEANING THE WATER FILTER / DRAINING THE RESIDUAL WATER

## **⚠ WARNING**

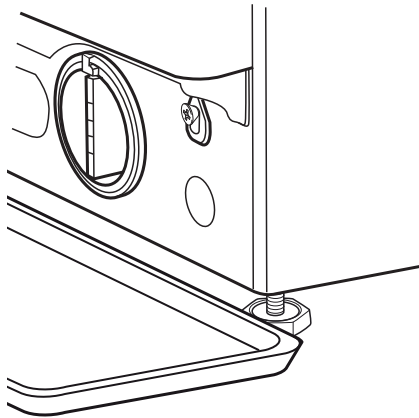
Make sure that the washer dryer has been shut off and disconnected from its electrical power supply before cleaning the water filter or draining the residual water. If a high temperature wash programme has recently been used, wait for the water to cool before draining it.

The water filter should be cleaned regularly in order to prevent water from remaining inside the appliance after wash cycles due to filter obstructions.

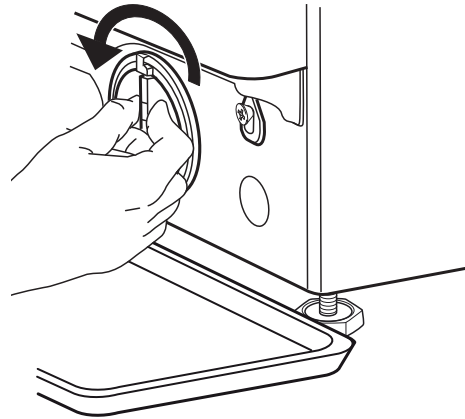
- 1.** Remove the kick panel: Using a screwdriver, do that which is shown in the following figure.



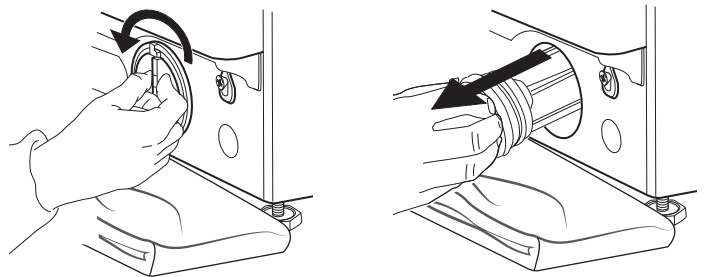
- 2.** Container for the drained water: Place a low and wide container under the water filter in order to collect the residual water.



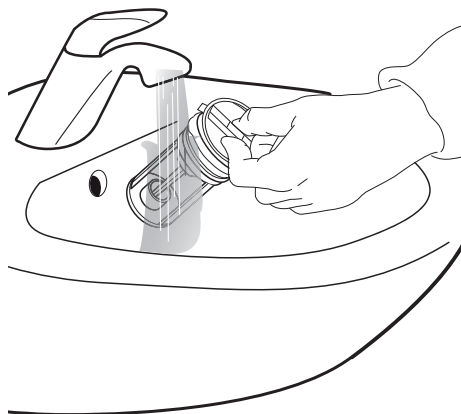
- 3.** Drain the water: Slowly turn the filter counter-clockwise until all the water has come out. Allow the water to flow out without removing the filter. Once the container is full, close the water filter by turning it clockwise. Empty the container. Repeat the procedure until all the water has been drained.



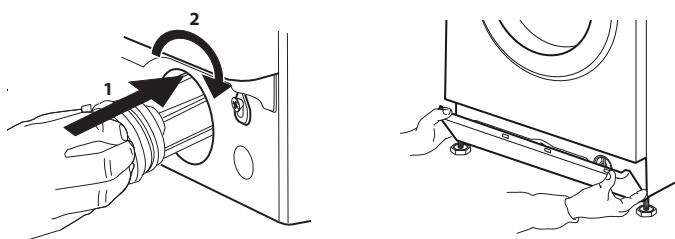
- 4.** Remove the filter: Place a cotton cloth under the water filter in order to absorb any small amounts of residual water. Next, remove the water filter by turning it counter-clockwise.



- 
- 5.** Clean the water filter: remove any residues from the filter and wash it under running water.



- 6.** Insert the water filter and reinstall the kick panel: Re-insert the water filter by turning it clockwise. Turn it as far as it will go; the filter's grip should be in its vertical position. In order to check the filter's seal, pour about 1 litre of water into the detergent dispenser. Re-install the kick panel.





---

# TRANSPORT AND HANDLING

---

**WARNING**

Do not lift the washer dryer while holding onto its upper surface.

- 1.** Disconnect the electrical plug and close the water tap.
- 2.** Check to make sure that the door and the detergent dispenser are securely closed.
- 3.** Disconnect the intake hose from the water tap, then disconnect the drain hose. Eliminate all the residual water from the hoses, and secure them in such a way that they will not be damaged during the transport operations.
- 4.** Reapply the transport bolts. Follow the procedure for removing the transport bolts described in the Installation Instructions, in the opposite order.  
Important: never transport the washer dryer without having applied the transport bolts.

---

# TROUBLESHOOTING

---

The washer dryer may sometimes not work properly for certain reasons. Before calling the Support Centre, it is recommended to check to see if the problem can be easily resolved using the following list.

## Anomalies:

**The washer dryer does not turn on.**

- ## Possible causes / Solution:
- The plug is not inserted into the electrical outlet, or not enough to make contact.
  - There has been a power failure.
  - The door is not fully closed.

**The wash cycle does not start.**

- The ON/OFF button has not been pressed.
- The START/PAUSE button has not been pressed.
- The water tap is not open.
- A start delay has been set.

**The washer dryer does not fill with water (the message "H2O" is shown on the display).**

- The water intake hose is not connected to the tap.
- The hose is bent.
- The water tap is not open.
- The mains water supply has been shut off.
- There is not enough pressure.

**The washer dryer loads and drains water continuously.**

- The START/PAUSE button has not been pressed.
  - The drain hose has not been installed at 65 to 100 cm from the ground.
  - The end of the drain hose is immersed in water.
  - The drain connector on the wall does not have an air vent.
- If the problem persists after having performed these checks, close the water tap, shut off the washer dryer, and call the Support Centre. If the dwelling is located on one of the uppermost floors of a building, a siphon effect can sometimes occur, thus causing the washer dryer to load and drain water continuously. Special anti-siphon valves are available on the market to prevent these types of problems.

**The washer dryer does not drain or does not spin.**

- The programme does not include the draining function: with certain programmes it must be activated manually.
- The drain hose is bent.
- The drain line is obstructed.

**The washer dryer vibrates excessively during the spin cycle.**

- At the time of installation, the drum was not properly unlocked.
- The washer dryer is not level.
- The washer dryer is squeezed between furniture and the wall.

**The washer dryer leaks water.**

- The water intake hose has not been tightened properly.
- The detergent dispenser is clogged.
- The drain hose has not been properly fastened.

**The indicator lights for the "FreshCare+" option and the START/PAUSE button flash quickly and the display shows an error code (e.g.: F-01, F-..).**

- Shut off the machine, disconnect the plug from the outlet, and wait about 1 minute before turning it back on.
- If the problem persists, call the Support Centre.

**Too much foam is formed.**

- The detergent is not compatible with the washer dryer (it must bear the wording "for washing machines", "for hand washing and washing machines", or something similar).
- The dosage was excessive.

**The washer dryer does not dry.**

- The plug is not inserted into the electrical outlet.
- There has been a power failure.
- The door is not fully closed
- A start delay has been set.
- The DRY function is set to its 0 position.

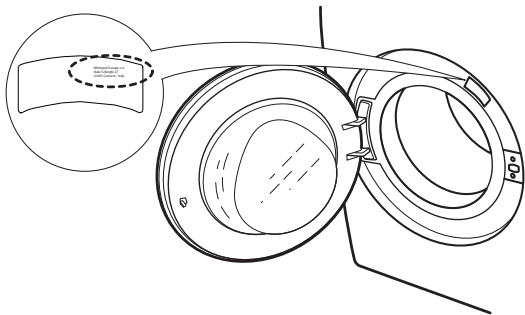
---

#### MAINTENANCE AND TROUBLESHOOTING GUIDE

See the **Instructions for use** for instructions on maintenance procedures and troubleshooting problems.

#### CONTACTING THE AFTER-SALES SERVICE

When contacting the After-Sales Service, you will need to be able to provide the codes indicated on the adhesive label on the inner side of the door. The telephone number is indicated in the warranty booklet.



#### HOW TO RECEIVE THE INSTRUCTIONS FOR USE

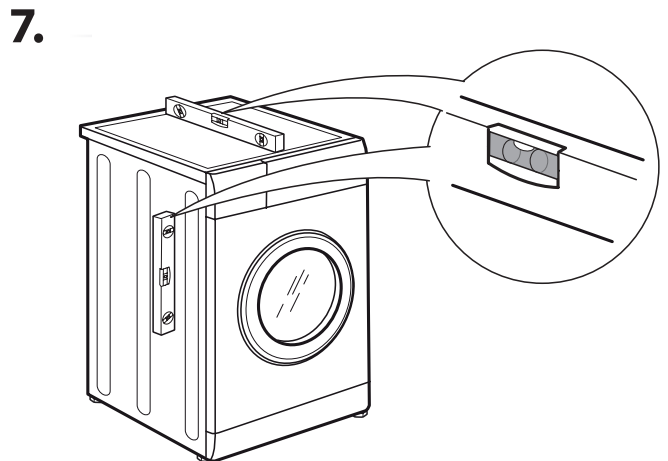
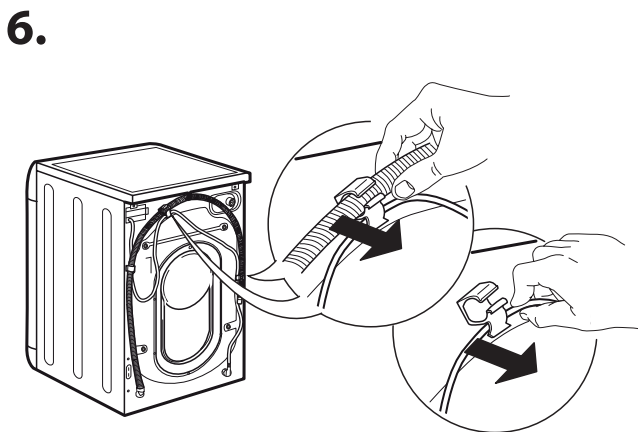
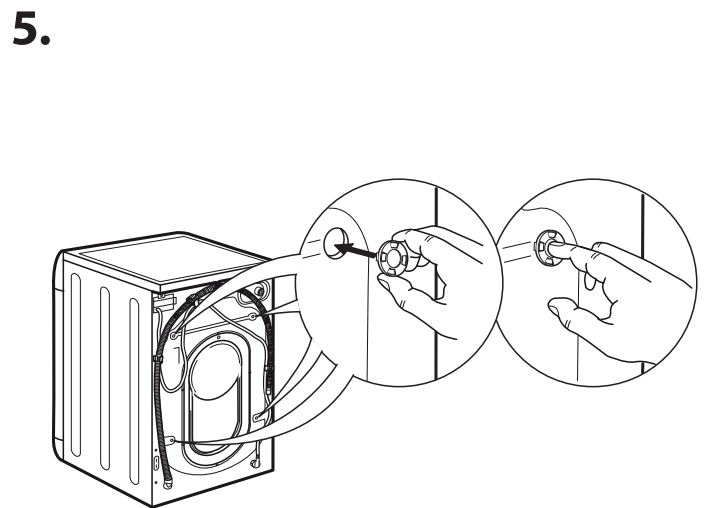
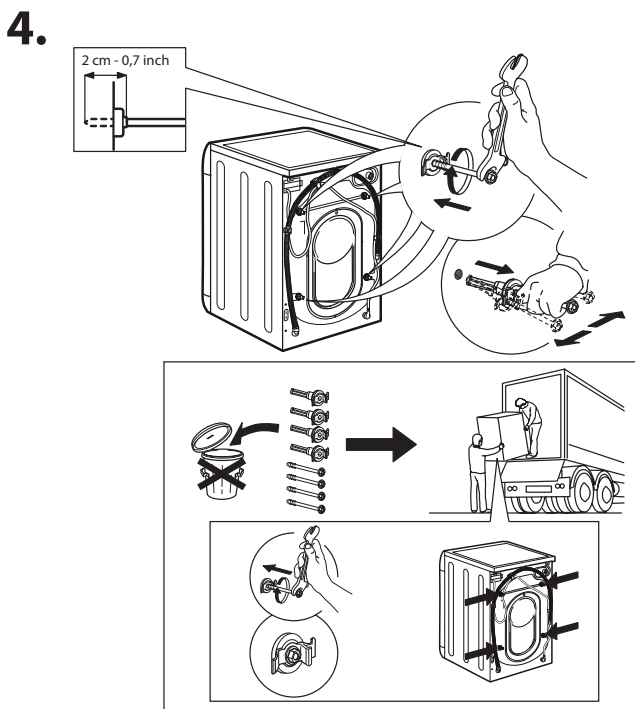
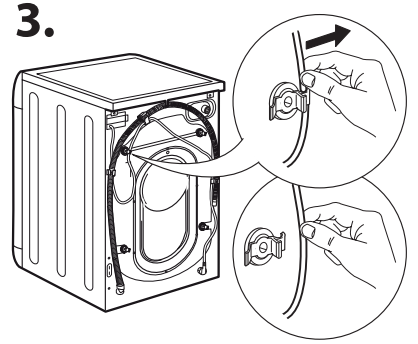
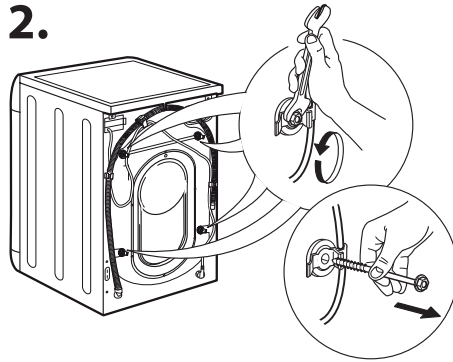
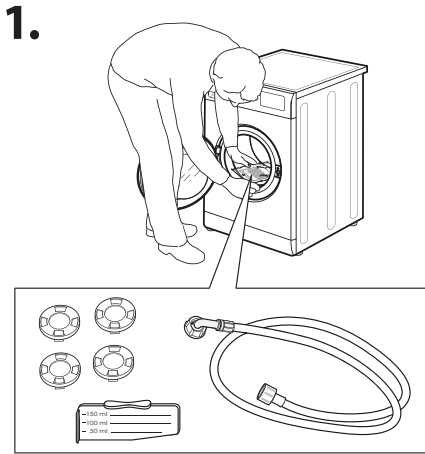
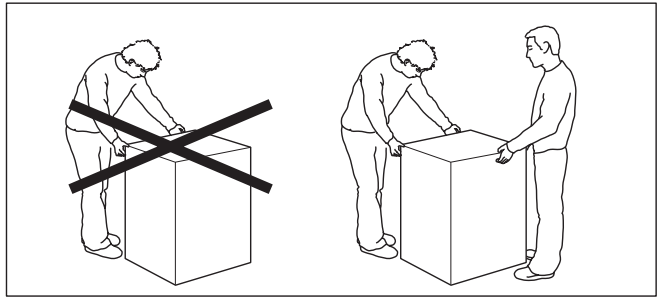
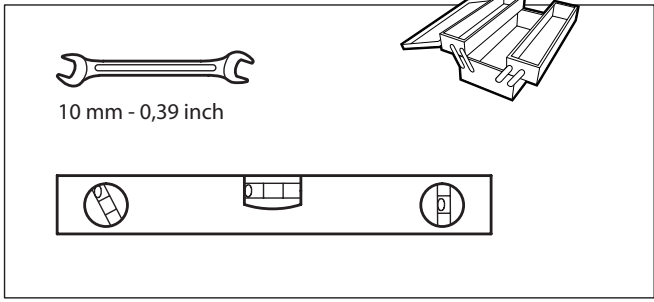
- > Phone the After-Sales Service
- > Use this QR Code



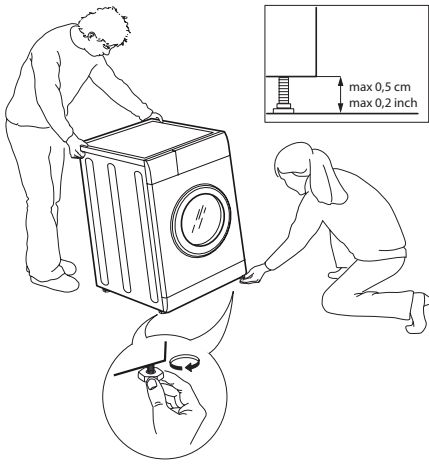
- > Download the guide from the Whirlpool website

**<http://docs.whirlpool.eu>**

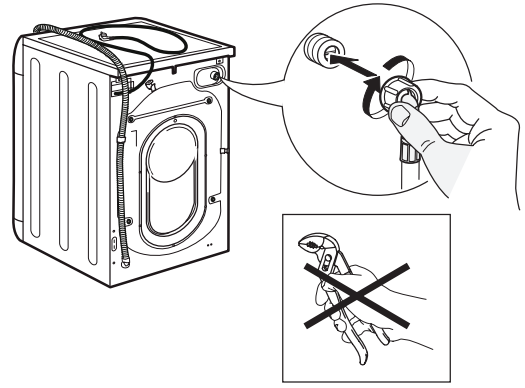
To do this, you need to enter the correct commercial code of the product indicated on the adhesive label.



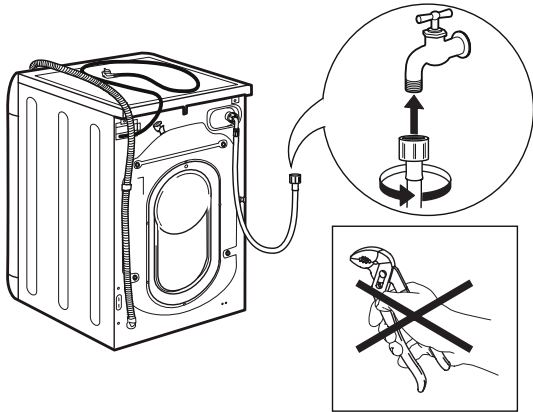
8.



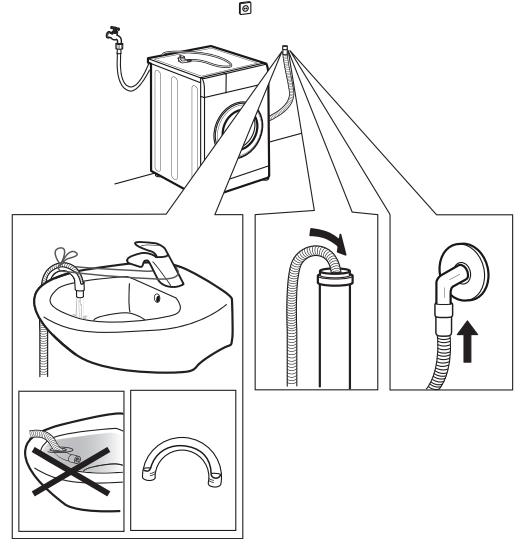
9.



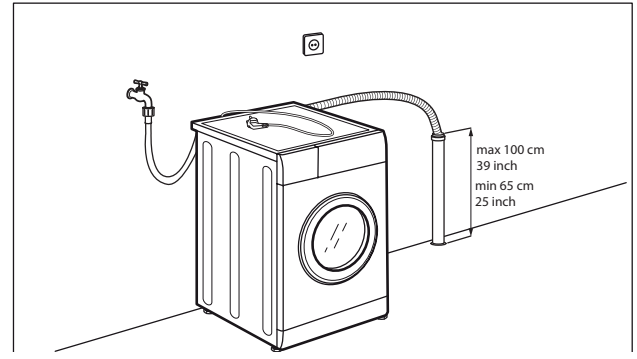
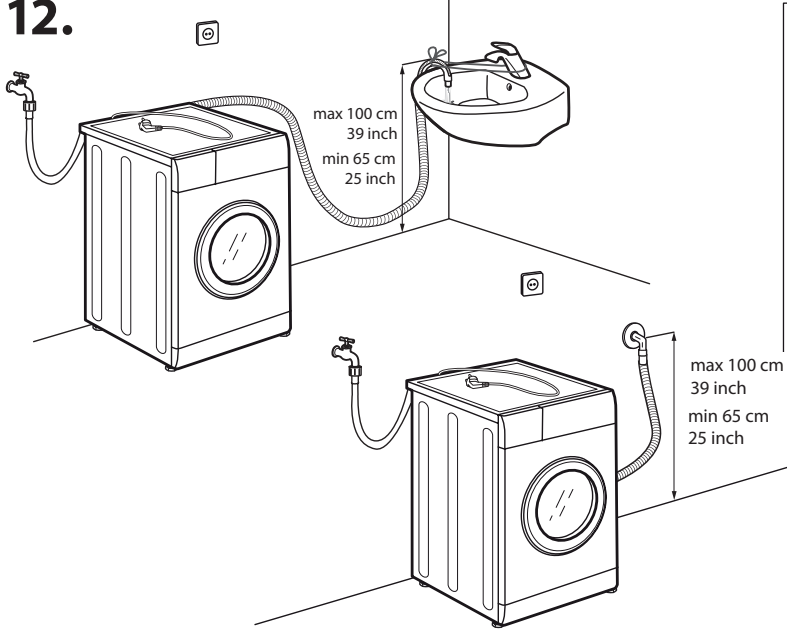
10.



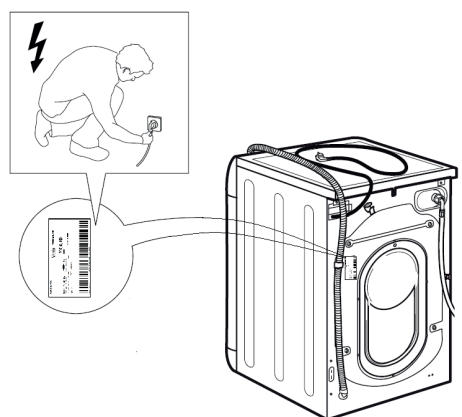
11.



12.



13.



14.

