

Classic design, reliable and solid for everyday performance.

6AKM331IX 6AKM331WH

60cm Stainless Steel or White Electric Cooktop



- 60cm cooktop
- Easy to clean surface
- 4 solid heating elements
- Black heat proof side controls
- Power on light enables you to see when zones are heating



Number One Appliance Manufacturer in the World.



Whirlpool®

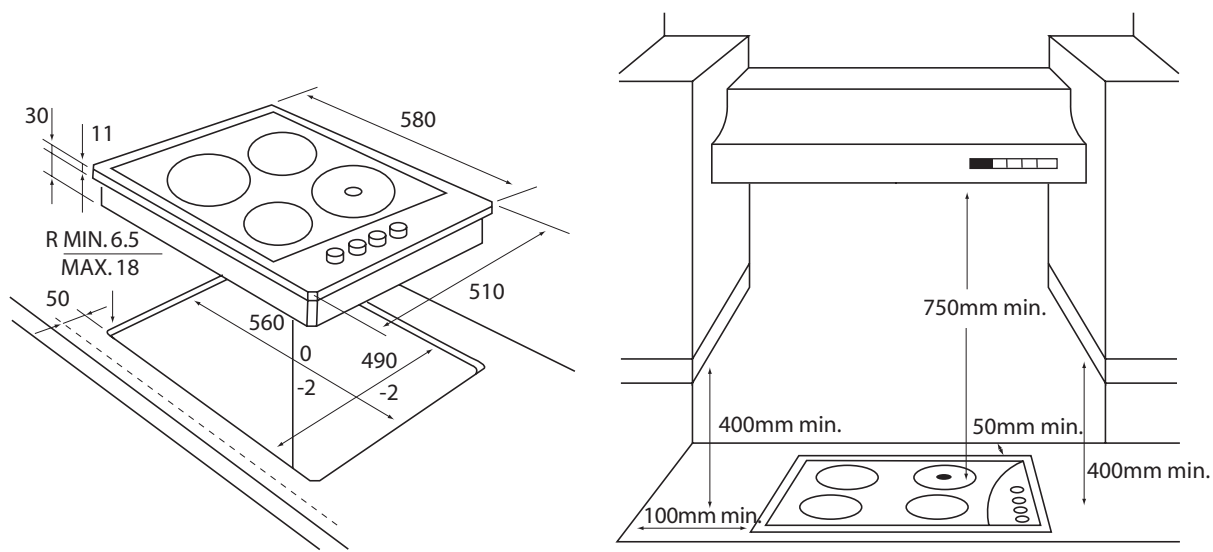
GUESS WHOSE MUM'S GOT A WHIRLPOOL?®

whirlpool.com.au whirlpool.co.nz

Dimensions / Installation Guide

6AKM331IX 6AKM331WH

60cm Stainless Steel or White Electric Cooktop



■ 6AKM331 / IX - Stainless Steel □ 6AKM331 / WH - White

Appliance H x W x D (mm) 41 x 580 x 510

Cut-out H x W x D (mm) 90 x 560 x 490

Burner	Type	Wattage	Diameter
Front left	Normal	1500W	180mm
Front right	Rapid heat	1500W	145mm
Rear left	Normal	1000W	145mm
Rear right	Rapid heat	2000W	180mm

For full installation requirements, including cabinetry ventilation please refer to the installation and user manuals with the appliance or on the website: www.whirlpool.com.au

Number One Appliance Manufacturer in the World.



whirlpool.com.au whirlpool.co.nz

GUESS WHOSE MUM'S GOT A WHIRLPOOL?®