



WSQ7360NE

60CM BUILT-IN INDUCTION HOB



FEATURES & BENEFITS



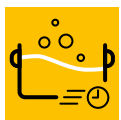
6TH SENSE FUNCTIONS

Always achieve perfect results effortlessly, with 4 pre-set functions that can automatically set the heat level when selecting the cooking method.



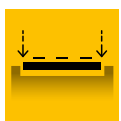
INDUCTION TECHNOLOGY

Induction technology heats the pan, not the hob, reducing energy dispersion as well as achieving faster and energy-efficient cooking.



BOOSTER

Always achieve perfect results effortlessly, with 4 pre-set functions that can automatically set the heat level when selecting the cooking method.



EASY INSTALLATION

The hob comes with a thinner platform, the zero-gap structure lays down directly on the worktop and with minimum worktop thickness.



CONTROL PANEL LOCK

Featuring a control panel lock system to prevent toddlers and children from accidentally using the hob.



WARRANTY

Guarantees peace of mind and value for money knowing that any product fault or defect is covered by full replacement parts and/or a service call to ensure the product works as described.

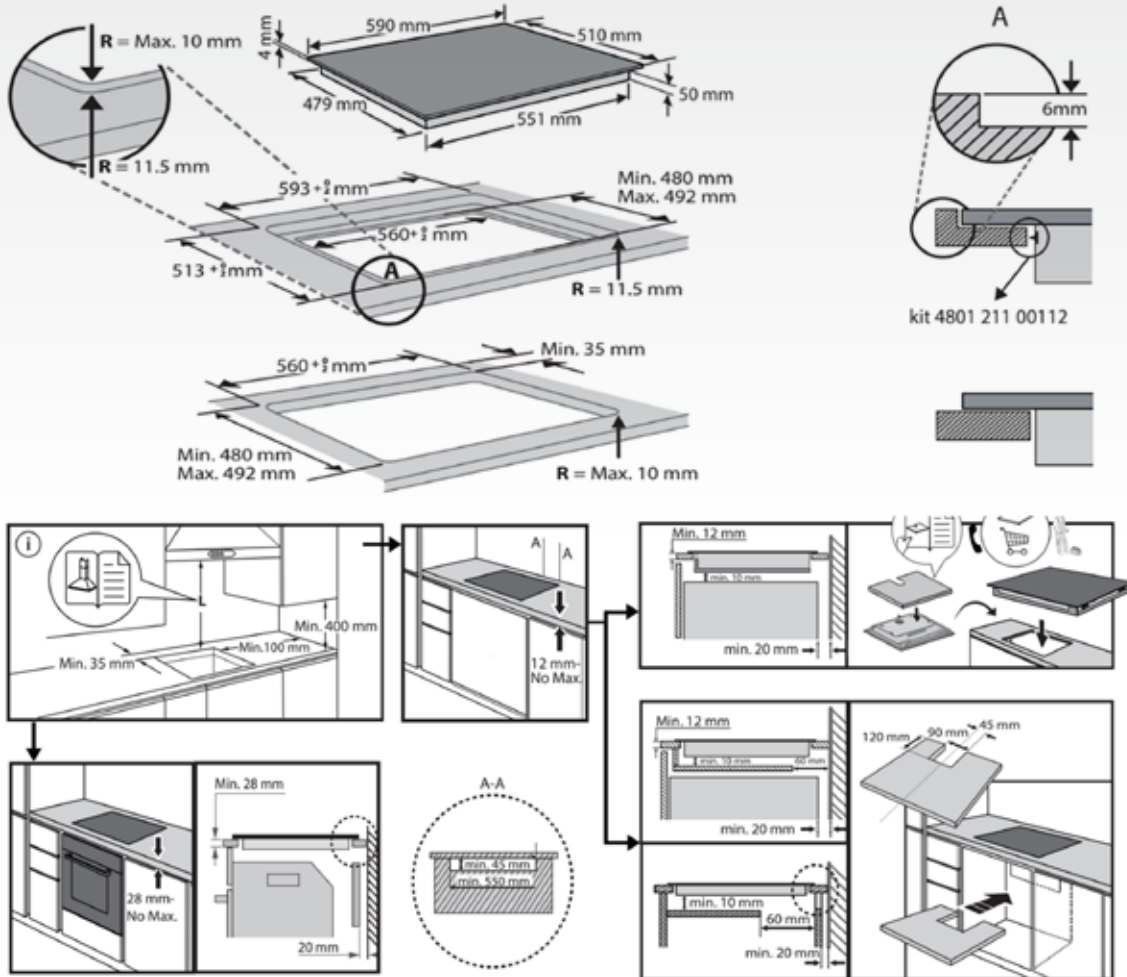
TECHNICAL SPECIFICATIONS

TYPE	60cm Built-in Induction Hob
COOKING ZONES	4
COLOR / FINISH	Black Schott Glass
CONTROL	Touch control
LOCATION OF CONTROL PANEL	Front
PRODUCT WEIGHT	9.2kg
PRODUCT DIMENSION	W 590mm x H 54mm x D 510mm
EAN	8003437606090
FUNCTIONS	6th SENSE with 4 automatic functions: Keep Warm / Melting / Simmering / Boiling, 4 Induction Cooking Zones
FEATURES	Power On Indicator, Residual Heat Indicator, Timer, Pan Detection, Control Panel Lock, Power Management, Acoustic Signal On/Off, Zero-gap Structure, Easy Installation
POWER	7,200w 9 levels + booster
ENERGY INPUT	Electric
POWER VOLTAGE	220-240V, 50/60Hz
CURRENT	31.3A
LENGTH OF POWER CORD	120cm
PACKAGING DIMENSIONS	W 670mm x H 120mm x D 600mm
GROSS WEIGHT	10.2kg
NET WEIGHT	9.2kg
COUNTRY OF ORIGIN	Italy
WARRANTY	5 years

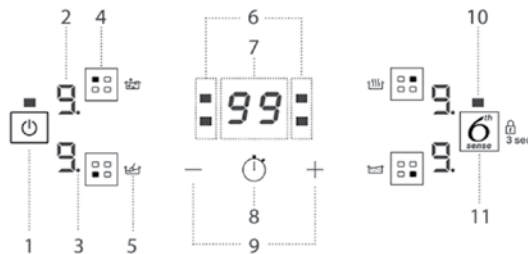
DISTRIBUTED BY ARISIT PTY LTD

40-50 Mark Anthony Drive, Dandenong South VIC 3175
Ph: 1300 762 219 Fax: 03 9768 0838 Website: www.arisit.com

INSTALLATION GUIDE



CONTROL PANEL



- 1. On/Off button
- 2. Cooking level selected
- 3. Zone selection indicator
- 4. Cooking zone selection button
- 5. Special function icon
- 6. Timer indicators active for the selected zone
- 7. Cooking time indicator
- 8. Timer activation button
- 9. Power and cooking time adjustment buttons
- 10. Indicator light – function active
- 11. 6th Sense button/Key lock button – 3 seconds