

INSTALLATION OF THE APPLIANCE

Check if the electrical installation is proper to bring the appliance in operating condition. If electricity installation is not suitable, call an electrician and plumber to arrange the utilities as necessary. Manufacturer shall not be held responsible for damages caused by operations performed by unauthorized persons.

WARNING: It is customer's responsibility to prepare the location the product shall be placed on and also to have the electrical installation prepared.

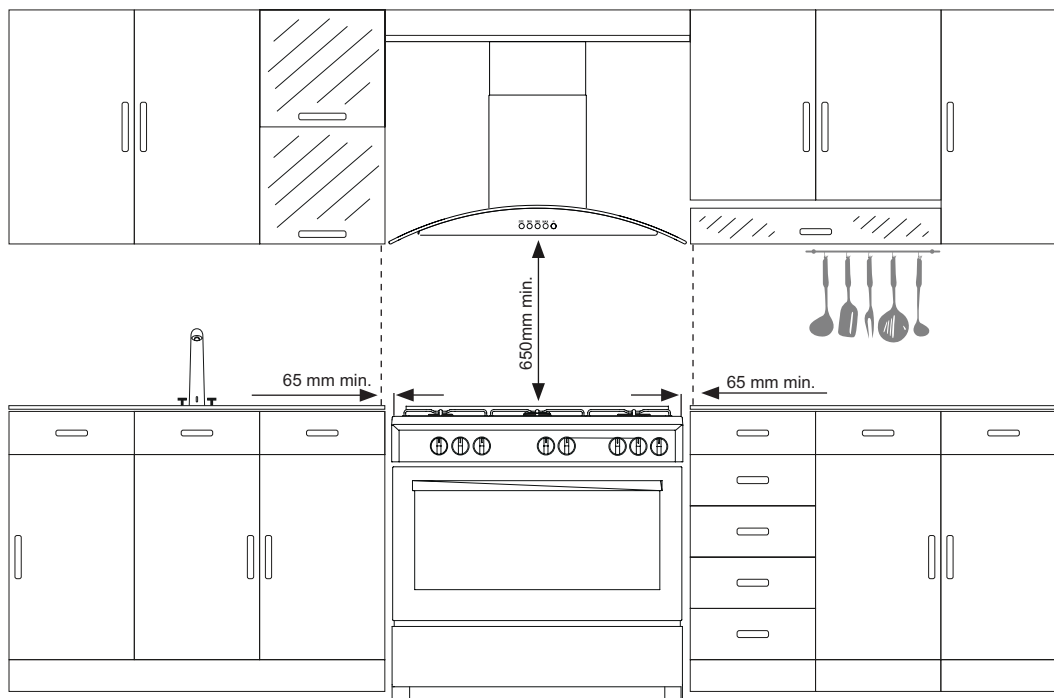
WARNING: The rules in local standards about electrical installations shall be followed during product installation.

WARNING: Check for any damage on the appliance before installing it. Do not have the product installed if it is damaged. Damaged products cause a risk for your safety.

Right Place for Installation and Important Warnings

Appliance feet should not stay on soft surfaces such as carpets. The kitchen floor shall be durable to carry the unit weight and any other kitchenware that may be used on the appliance.

The appliance is suitable for use on both side walls, without any support, or without being installed in a cabinet. If a hood or aspirator will be installed above the cooker, follow the instructions of the manufacturer for height of mounting. (min. 650 mm)



WARNING: The kitchen furniture near the appliance must be heat resistant.

WARNING: Do not use the door and/or handle to carry or move the appliance.

WARNING: Do not install the appliance beside refrigerators or coolers. Heat radiated by the appliance increases the energy consumption of cooling devices.

COMBUSTIBLE SURFACES

Any adjoining wall surface situated within 200mm from the edge of any hob burner must be a suitable non-combustible material for a height of 150mm for the entire length of the hob.

Any combustible construction above the hotplate must be at least 600mm above the top of the burner and no construction shall be within 450mm above the top of the burner. Zero clearance is permitted on side and rear adjoining surfaces below the hob.

INSTALLATION OF THE APPLIANCE FEET

In order to install the appliance feet;

1. Foot attachment lath is installed on the appliance from the bottom of the appliance as shown in (figure 1). Nuts are centered on these lathes in order to screw feet. Complete the feet installation process by screwing the feet to the nuts (figure 2).
2. You can balance your appliance by turning the screwed feet according to the surface type you are using.
3. If your appliance has telescopic feet as in (figure 3) you can adjust your appliance height from these feet as turned clockwise or anticlockwise.

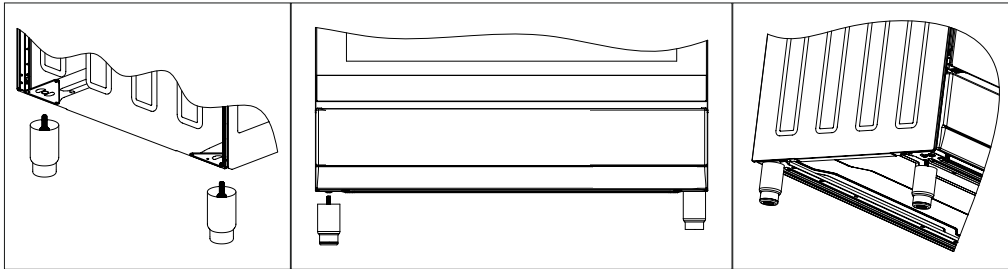
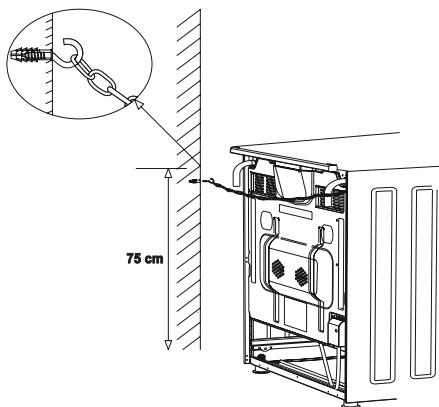


Figure 1

Figure 2

Figure 3

INSTALLING THE ANTI-TILTING CHAIN



Before using the appliance, in order to ensure safe use, be sure to fix the appliance to the wall using the chain and hooked screw supplied. Ensure that the hook is screwed into the wall securely.

NOTE: The chain must remain tensioned after the installation process is completed.