

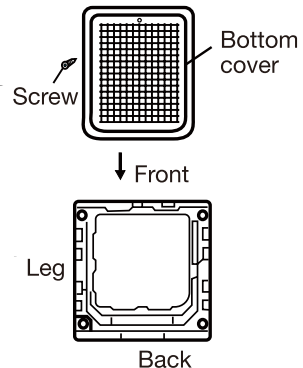
Getting Started: Installation

Unpacking

- This product has been packaged to protect it against transportation damage. Keep the original packaging carton in a safe place. It will help prevent any damage if the product needs to be transported in the future. In the event that it is to be disposed of, please recycle it and all other packaging materials where possible.
- Plastic wrapping can be a suffocation hazard for babies and young children, so ensure all packaging materials are out of their reach and disposed of safely.
- Unwind the power cord to its full length and inspect it for damage. Do not use the appliance if the appliance or its cord has been damaged or is not working properly. **In case of damage, contact our after sales support centre for advice on examination, repair or return of the damaged product.**
- Read this manual to familiarise yourself with all the parts and operating principles of the washing machine. Pay particular attention to the safety instructions on the previous pages.

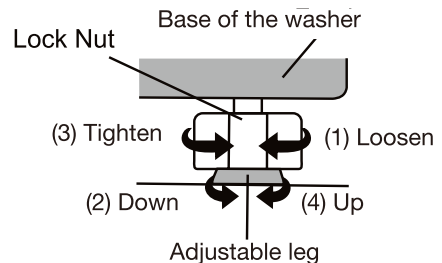
Installing the bottom cover

- Make sure the power cord is unplugged from the mains supply.
- Place some padding (such as a soft mat, blanket or thick towel) on the floor and gently lay the washing machine on the padding, back side down. Take care not to dent the housing.
- Insert the bottom cover into the hooks of the leg, pushing it straight until it reaches into the front hooks.
- Fasten the bottom cover with the supplied screw(s).
- Carefully set the washer upright.



Levelling the washer

- Install the washer on a stable and level surface, in a dry location, out of sunlight.
- The inbuilt levelling indicator (see page 6) will help you determine whether levelling is necessary. If so, adjust the adjustable leg (at the front right side of the machine), as illustrated, right. The maximum permissible inclination of the supporting surface is 2°.

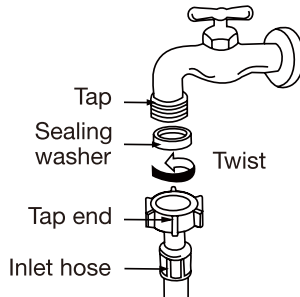


CAUTION: Installing the washer on a carpeted floor may cause vibration issues. If you must install it on carpet, make sure not to block the ventilation openings on the bottom of the washer.

Connecting the water inlet hoses

Install the water inlet hoses to your hot and cold water taps, as described below.

- Check and ensure that the sealing washers are firmly in place.
- Attach the straight end of the hose to your water taps. Make sure to attach the hot water supply hose (with red markings) to the hot water tap and the cold water supply hose (with blue markings) to the cold water tap.
- Tighten the coupling nuts securely by hand, as illustrated below (the sealing washer is part of and located inside the tap end).



- Attach the curved end of the hose to the corresponding inlet valve of the washer.
- Tighten the coupling nuts securely by hand, as illustrated below.
- Tighten the nut by turning it clockwise while holding the hose. (To detach the water supply hose, turn the nut anticlockwise after turning the tap off.)

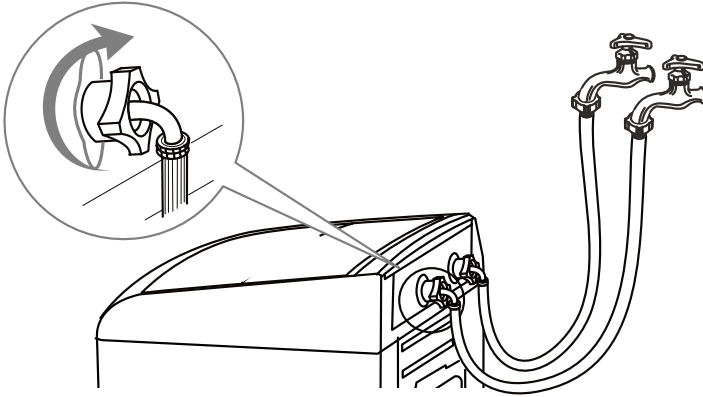


- Turn on the taps and check for leaks. Tighten the coupling nuts firmly if there is any leakage. If your water pressure is strong, close the water tap completely, then open it slightly.

IMPORTANT!

Both the hot water and cold water hoses must be connected to your taps.
Make sure your hot water from the tap is no hotter than 60°C.

⚠ CAUTION! When tightening the clamping nut, take care not to damage the water inlet valve joint. Apply force evenly and do not twist the water inlet valve.

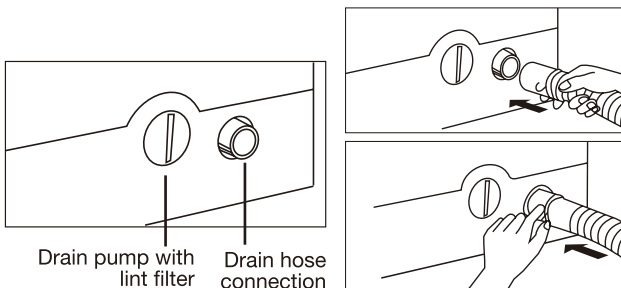


⚠ CAUTION! Use only the new (supplied) hoses with your new appliance. Do not use a hose from an existing machine, or one that has been used previously.

⚠ CAUTION! In the event that the hoses are too short for your set-up, please seek advice from your local washing machine store to purchase a longer hose.

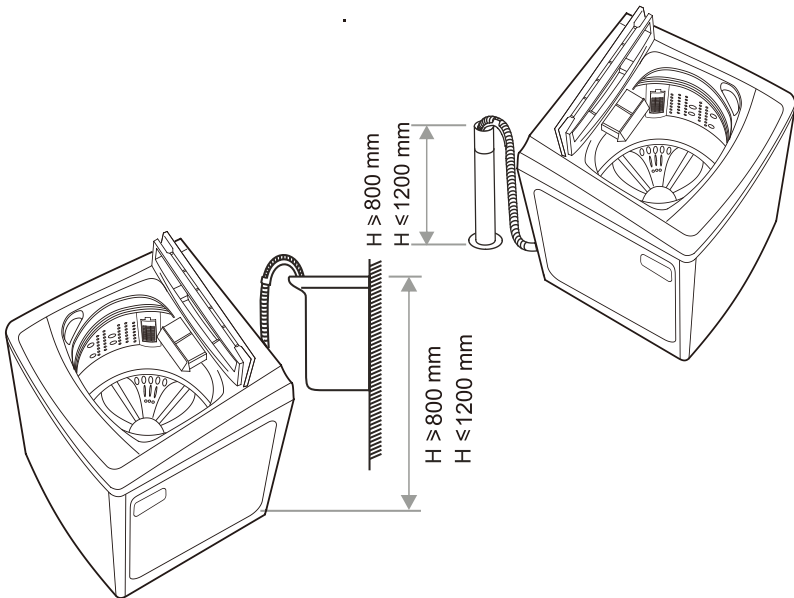
Installing the drain hose

- The drain hose and drain pump filter are located at the back of the machine, as illustrated below, left.
- Pinching the two bands of the clamp on the drain hose, connect it to the drain hose connection at the back of the washer, as illustrated below.
- When the washer is in use, put the drain hose into a drain spout (or into a sink/tub), as illustrated on page 10.



CAUTION!

- While the washer is in use, make sure the height of the drain hose is at least 80cm, otherwise the washer will not work well, or the water may flow out in the course of washing. Also ensure the drain hose is not higher than 120cm above ground, otherwise the washer will not drain water well.
- Never lay down the drain hose, as water will be discharged.
- Be sure the drain hose is properly routed so it will not kink or lift off the sink.



Using the rollers

The washing machine is equipped with two rollers at the back that you can use to move the machine more easily. Tilt the washing machine by about 30 degrees and push forward, or pull backward, while holding the machine securely on both sides with your hands, as illustrated below.

Do not move the machine on the rollers on uneven ground, which can damage the rollers.

CAUTION: Take care of your back! Do not tilt the washing machine too much, which could cause injury.

