

INSTALLATION

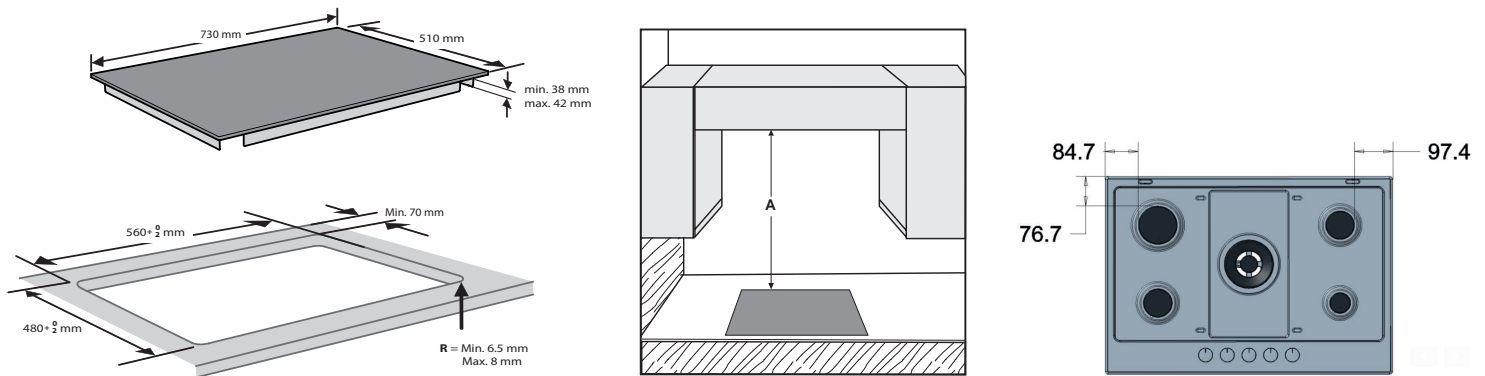
TECHNICAL INFORMATION FOR THE INSTALLER

- Use protective gloves for handling, preparing, and installing the product.
- This product can be embedded in a worktop 20 ÷ 60 mm thick.
- If there is no oven beneath the hob, insert a separator panel with a surface at least equal to the opening in the work surface. This panel must be positioned at a maximum distance of 150 mm below the upper surface of the work surface but, in no case, less than 20 mm from the bottom of the hob. If you intend to install an oven beneath the hob, make sure that it is equipped with a cooling system.
- Where the rating plate is obscured by cabinetry when the cooktop is in the installed position, place the duplicate rating plate (provided together with the literature) on a surface of the cabinetry adjacent to the cooktop.

NOTE: An airflow may extinguish the burner flame if the removable panel is not installed. The air flow may occur when you open or close the cabinet door or drawer.

- An authorized person must install this appliance in accordance with this instruction manual:
 - AS/NZS 5601.1 - Gas installations (installation and pipe sizing)
 - Local gas fitting regulations
 - Local electrical regulations
 - Building Code of Australia and any other government authority.

DIMENSIONS AND DISTANCES TO BE MAINTAINED

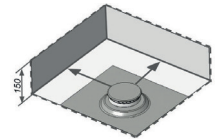


NOTE: In case of installation of a hood above the cooktop please refer to the range hood instructions for the correct distance. Clearance A, between the highest part of the highest burner of the gas cooking appliance and a range hood or exhaust fan (overhead clearance), shall be no less than 600 mm for a range hood, and no less than 750 mm for an exhaust fan.

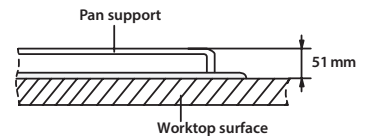
The minimum clearance from a combustible surface shall be a 200 mm horizontal distance from the periphery of any gas burner (AS/NZS 5601.1).

If that horizontal clearance is less than 200 mm, that vertical surface must be protected by a non combustible material for 150 mm above the cooktop surface across the entire length (depth, width).

The shown area indicates the protected surface, which may be ceramic tiles or other approved material.



The high from the worktop surface to the top of the pan support is 51 mm.



ASSEMBLY

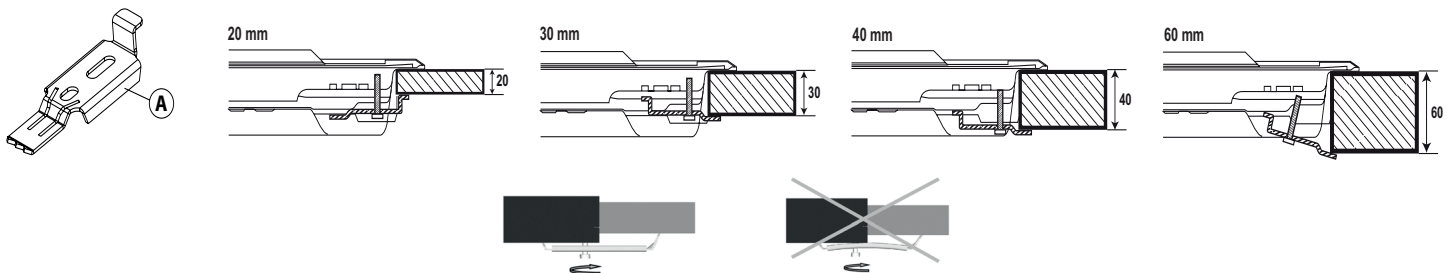
After cleaning the perimeter surface, apply the supplied gasket to the hob, as shown in the figure.

Position the hob in the worktop opening made respecting the dimensions indicated in the Instruction.



NOTE: the power supply cable must be long enough to permit its upward extraction.

To secure the hob, use the brackets (A) provided with it. Fit the brackets into the relevant bores shown by the arrow and fasten them by means of their screws in accordance with the thickness of the worktop (see the following figures).



GAS CONNECTION

Before installation, check that the gas type (natural gas or Universal LPG) of the cooker is suitable for the gas type available for the installation. Check that the gas supply pressure is consistent with the values indicated in the "Injectors table." This will ensure the safe operation and longevity of your appliance while maintaining efficient energy consumption.

For ULPG models, the gas supply for the hotplate must be regulated to a pressure of 2.75kPa. The gas inlet connection fitting is 1/2" B.S.P female thread (in compliance with ISO 7 thread).

For NG models, the gas supply is connected to a regulator, which is supplied. The inlet connection has 1/2" B.S.P female thread. THE ELBOW ON THE APPLIANCE MUST BE HELD FIRMLY WITH A SPANNER. DO NOT OVER TIGHTEN. The regulated pressure for NG is 1.00kPa.

A manual shut-off valve must be installed in the gas line, in an accessible position external to the hotplate, so that the gas supply can be shut-off in the event of an emergency or service.

For the appliance's gas inlet position, refer to Fig. 1 for NG and Fig.2 for ULPG.

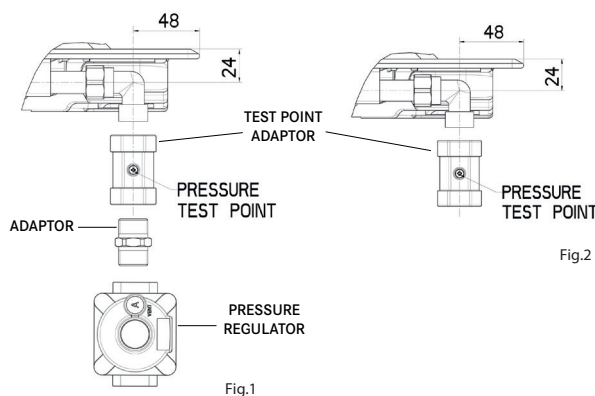
After installing the gas supply and making all connections check thoroughly for possible leaks. Turn all control knobs on the unit to the "OFF" position. Open the valve on the gas supply. Using a soap and water solution, check each gas connection one at a time by brushing the solution over the connection. The presence of bubbles will indicate a leak. Tighten the fitting and re-check for leaks. If it is not possible to correct the leak, replace the fitting. Under no circumstance use matches or flame for checking leaks.

Turn on the appliance gas cock and light each burner. Check for a clear blue flame without yellow tipping. If burners show any abnormalities check the following:

- Burner cap on correctly
- Burner positioned correctly
- Burner vertically aligned with injector nipple

In some cases, the burners will fail to ignite immediately and seem to blow lightly when they do ignite; this is usually due to air in the gas pipe, which should clear itself within seconds of operation.

If satisfactory performance cannot be obtained after following the instructions given, contact the local gas authority for advice and assistance.



Images are for illustration purposes only

This appliance is suitable for connection with a rigid pipe or flexible hose. The isolating manual shut-off valve connection point must be accessible when the appliance is installed.

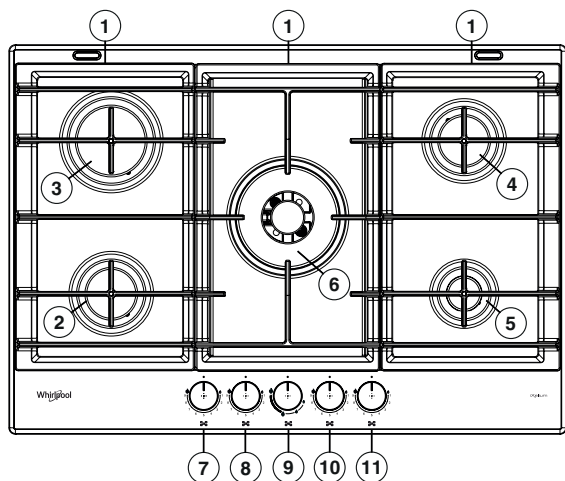
The flexible hose assembly must be certified to AS/NZS 1869 class B or D, be of appropriate internal diameter, be kept as short as possible (not to exceed 1200 mm), must not be in contact with the floor or any hot or sharp surfaces. The hose assembly must not be subject to strain, abrasion, kinking, or deformation.

Ensure pipes do not touch any moving parts and is not compressed.

Only use pipes and seals that comply with current national regulations.

PRODUCT DESCRIPTION

Model GMWL758IXLAUS



1. Removable panstand grids
2. Semi-rapid burner
3. Rapid burner
4. Semi-rapid burner
5. Auxiliary burner
6. 2 Crown burner
7. Semi-rapid burner control knob
8. Rapid burner control knob
9. 2 Crown burner control knob
10. Semi-rapid burner control knob
11. Auxiliary burner control knob

Symbols

- Shaded circle ● Tap closed
- Large flame 🔥 Maximum opening/delivery and electric ignition
- Small flame 🔥 Minimum opening or reduced delivery

