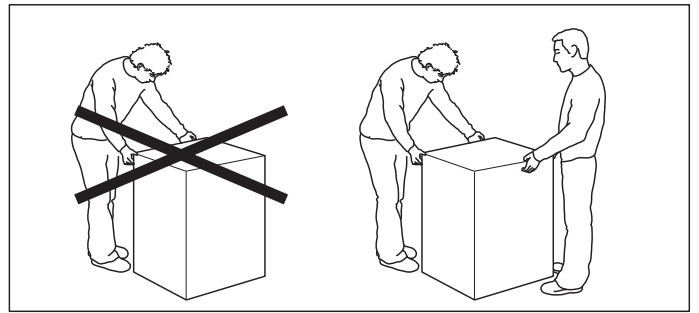
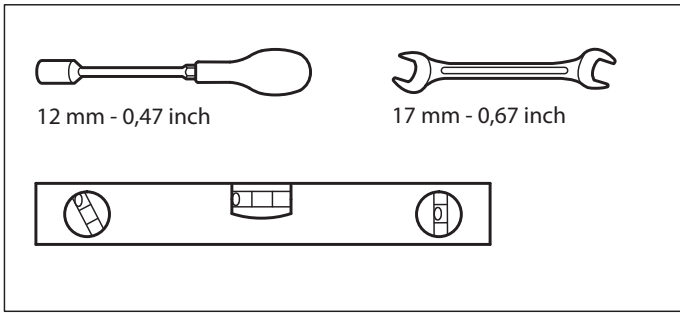


## Installation guide



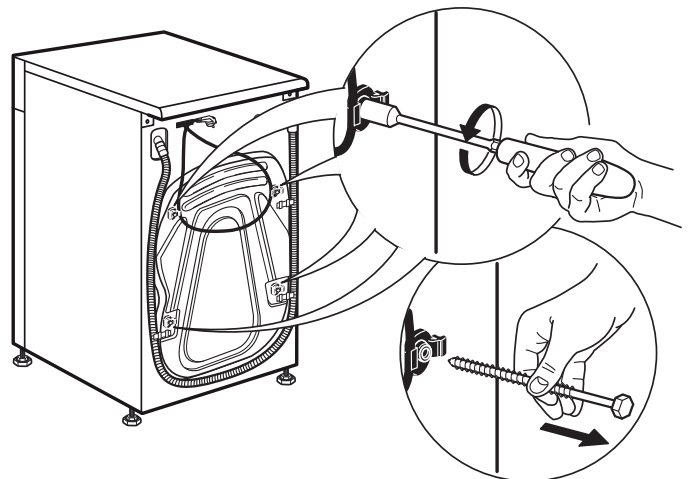
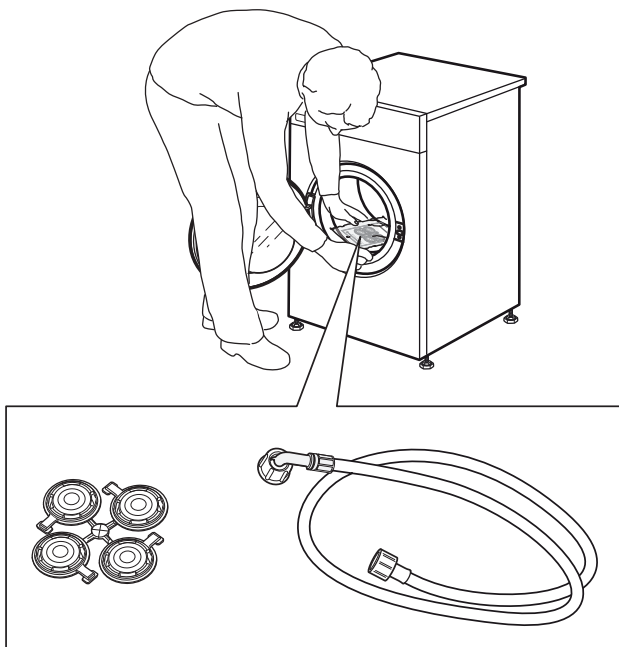
[www.whirlpool.com.au](http://www.whirlpool.com.au)



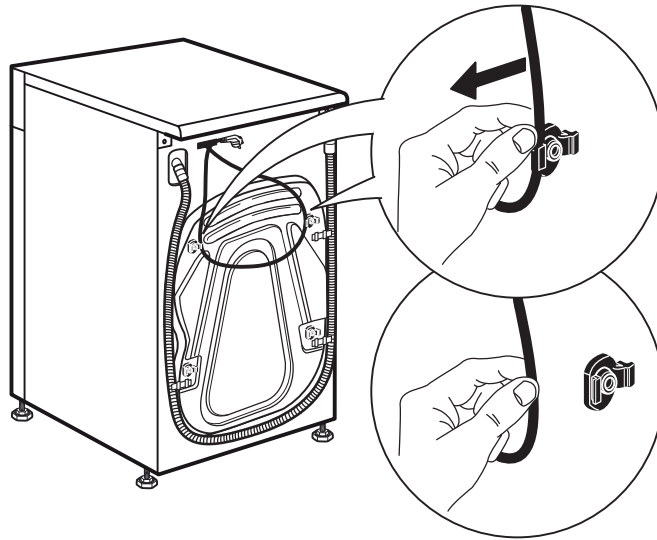


1.

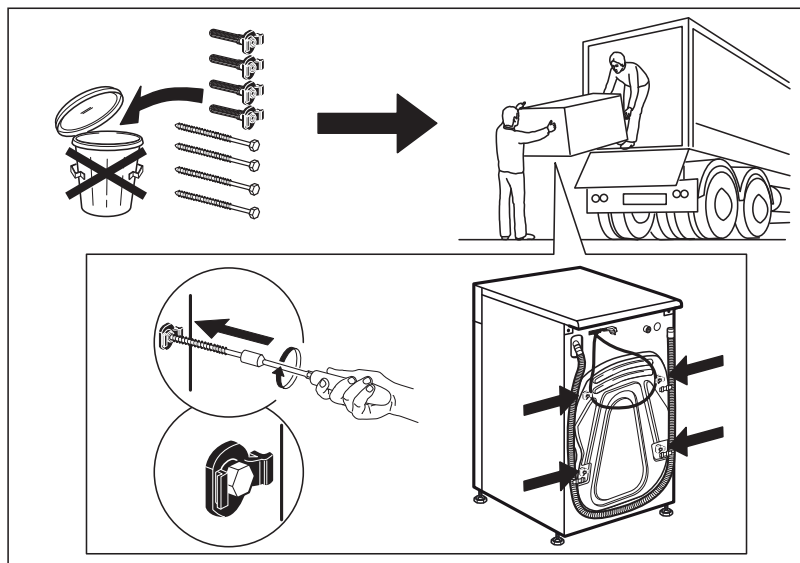
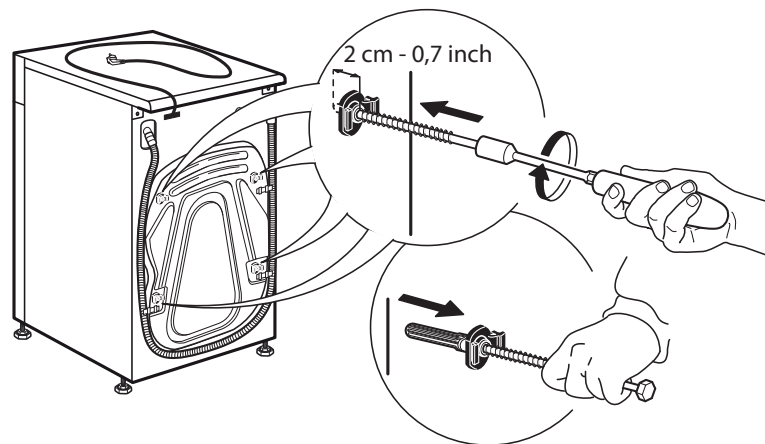
2.



3.



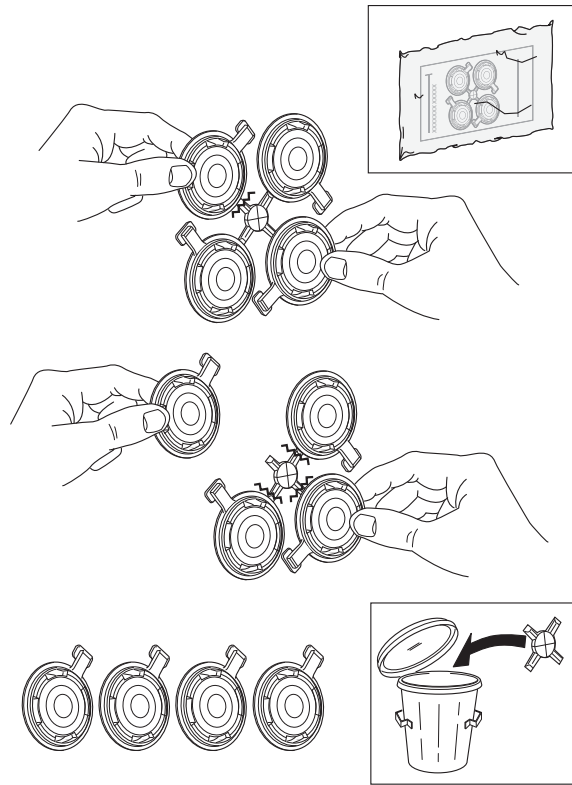
4.



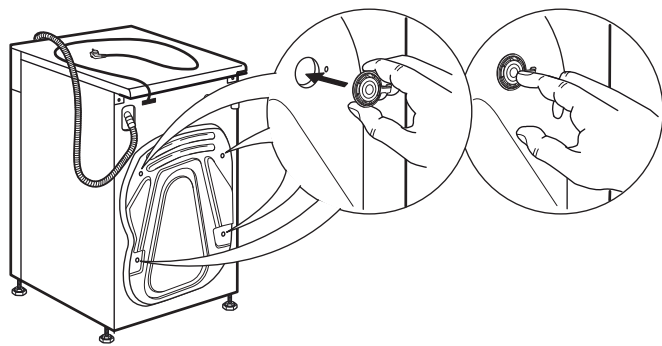
---

# 5.

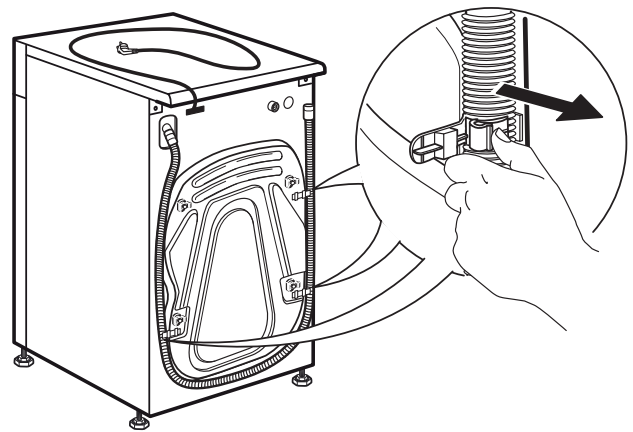
---



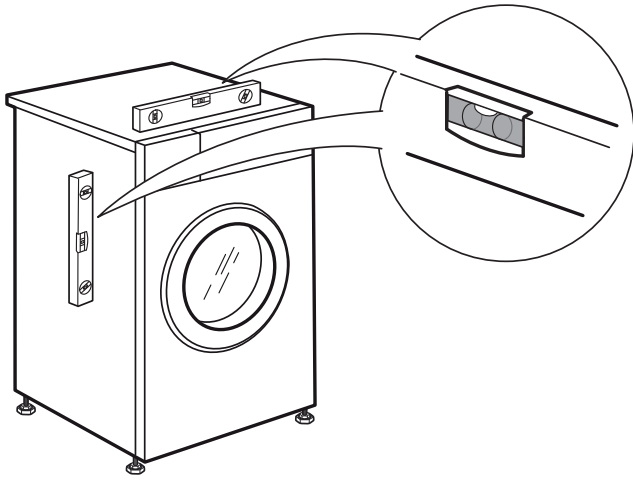
# 6.



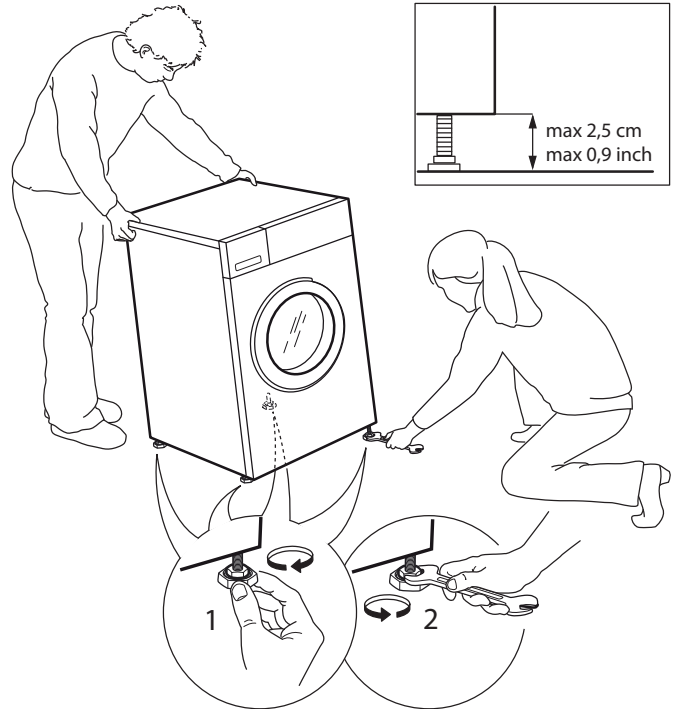
# 7.



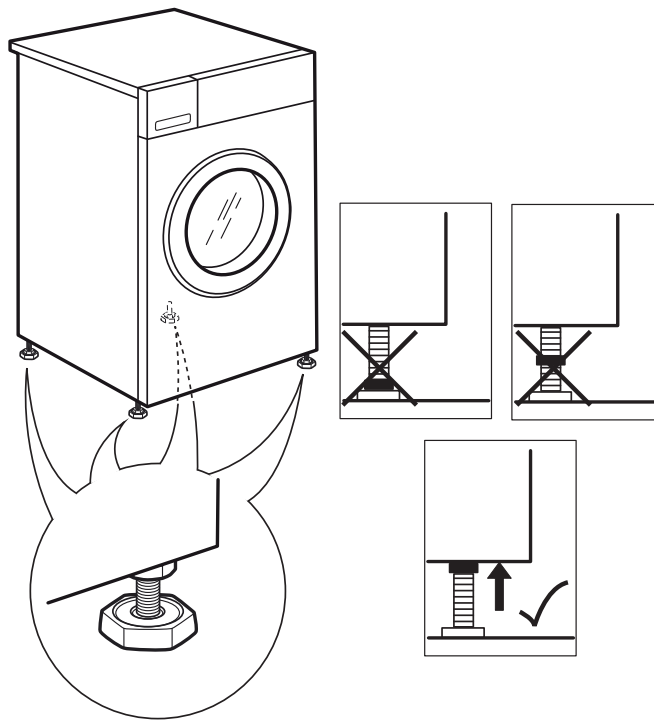
8.



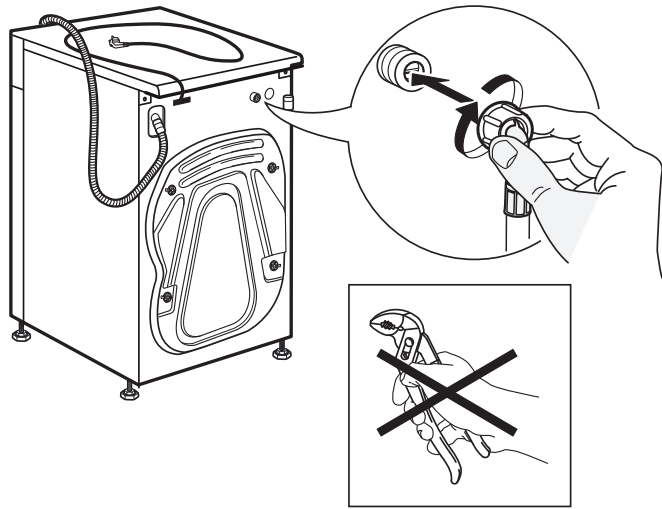
9.



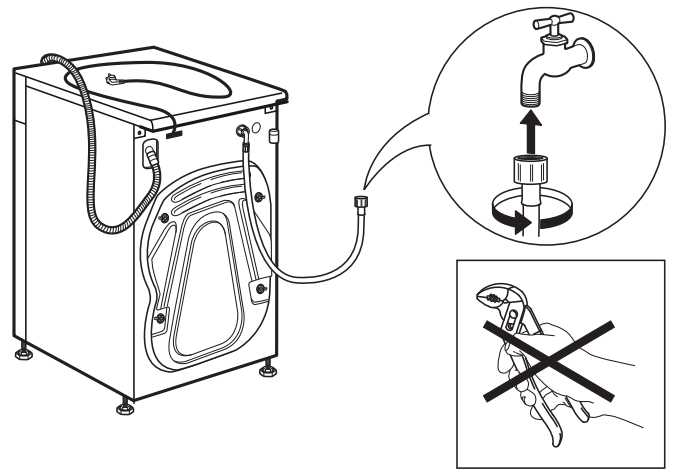
10.



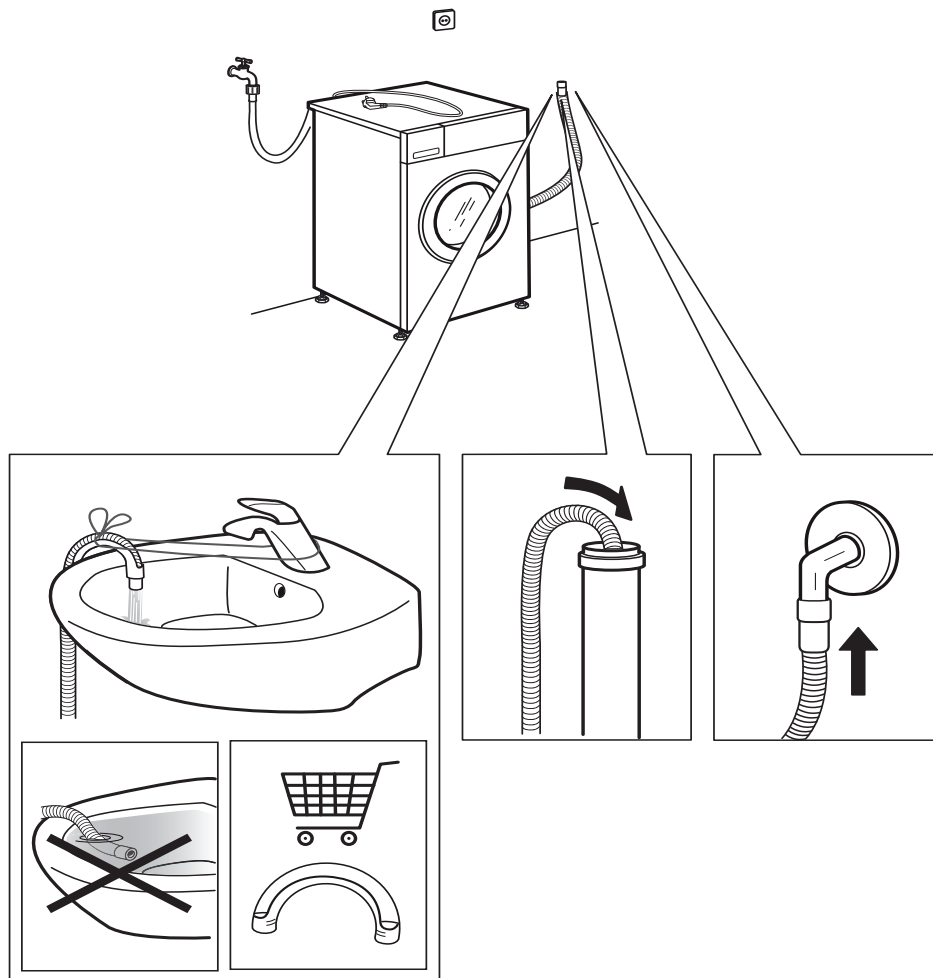
11.



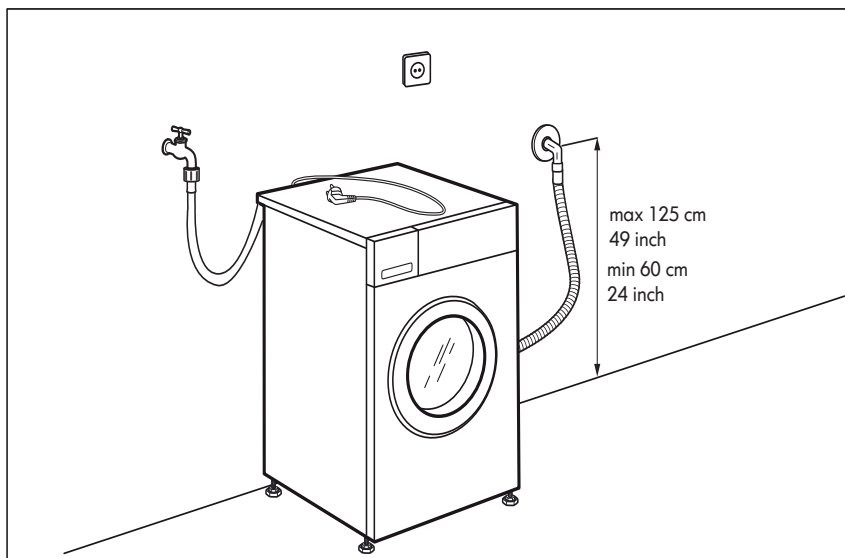
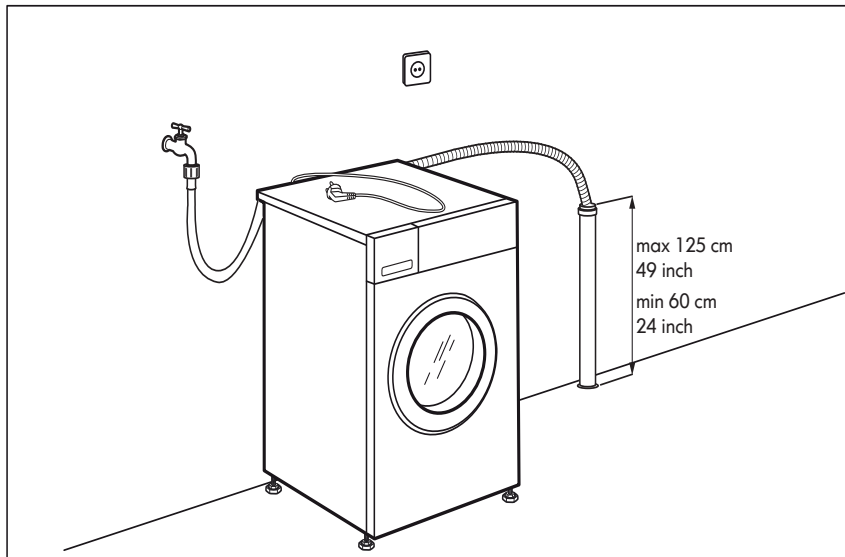
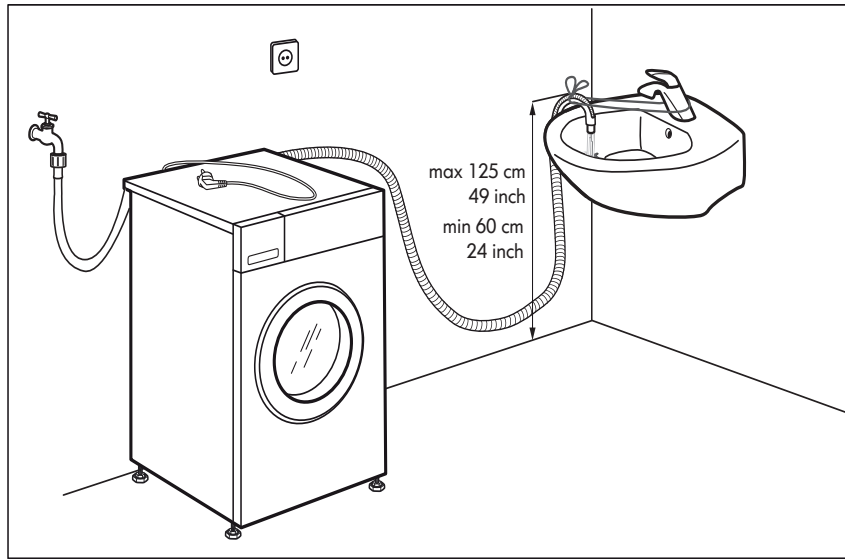
12.



13.



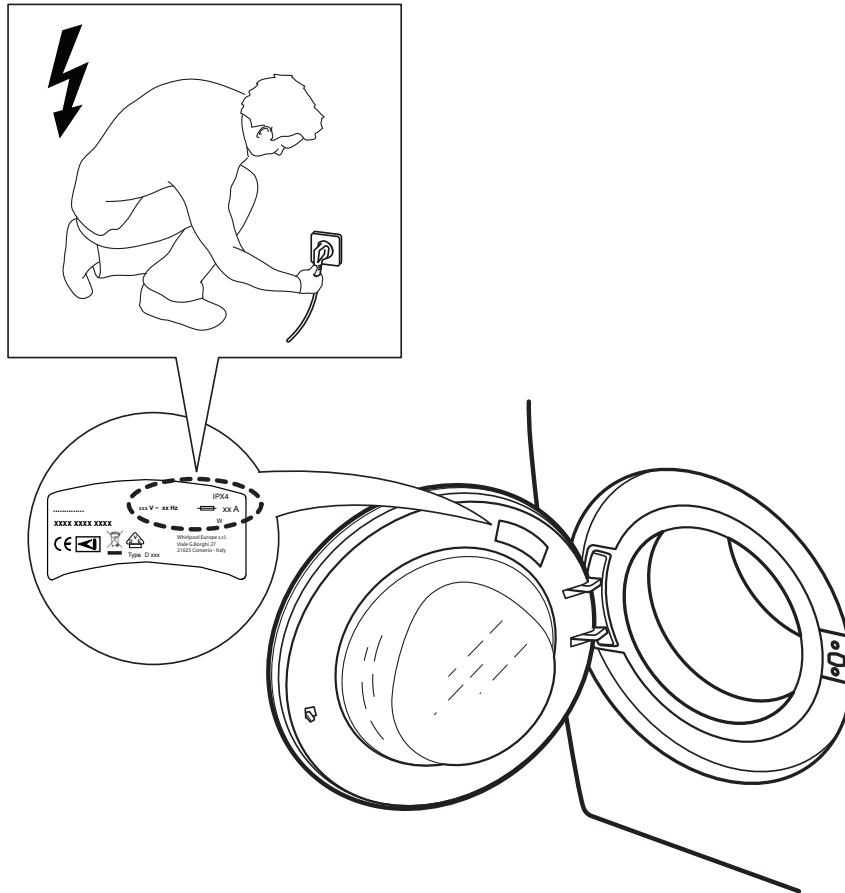
# 14.



---

15.

---



---

16.

---

